

Service Manual

VC4400 /U1B

VC5400 /U1B

PMD970 /U1B

5 Disc DVD Changer

VC5400

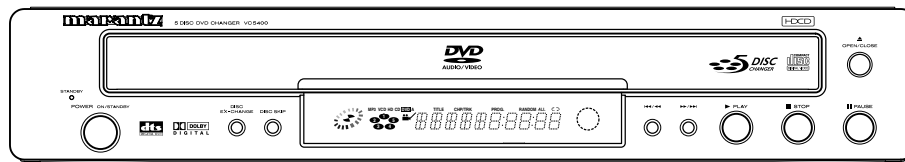


TABLE OF CONTENTS

SECTION	PAGE
1. TECHNICAL SPECIFICATIONS	1
2. INFORMATIONS	2
3. SERVICE HINTS AND TOOLS.....	4
4. WARNING AND LASER SAFETY INSTRUCTIONS	5
5. TAKING THE DISC OUT OF EMERGENCY	7
6. SERVICE MODE	8
7. BLOCK DIAGRAM	10
8. SCHEMATIC DIAGRAM	15
9. EXPLODED VIEW AND PARTS LIST	27
10. ELECTRICAL PARTS LIST	31
MECHANISM	
DECK MECHANISM PARTS LOCATIONS	4-1
DECK MECHANISM DISASSEMBLY	4-2

Please use this service manual with referring to the user guide (D.F.U.) without fail.
修理の際は、必ず取扱説明書を準備し操作方法を確認の上作業を行ってください。

marantz®

VC4400 / VC5400 / PMD970

MARANTZ DESIGN AND SERVICE

Using superior design and selected high grade components, **MARANTZ** company has created the ultimate in stereo sound. Only original **MARANTZ** parts can insure that your **MARANTZ** product will continue to perform to the specifications for which it is famous.

Parts for your **MARANTZ** equipment are generally available to our National Marantz Subsidiary or Agent.

ORDERING PARTS :

Parts can be ordered either by mail or by Fax.. In both cases, the correct part number has to be specified.

The following information must be supplied to eliminate delays in processing your order :

1. Complete address
2. Complete part numbers and quantities required
3. Description of parts
4. Model number for which part is required
5. Way of shipment
6. Signature : any order form or Fax. must be signed, otherwise such part order will be considered as null and void.

USA

MARANTZ AMERICA, INC
1100 MAPLEWOOD DRIVE
ITASCA, IL. 60143
USA
PHONE : 630 - 741 - 0300
FAX : 630 - 741 - 0301

EUROPE / TRADING

MARANTZ EUROPE B.V.
P. O. BOX 8744, BUILDING SILVERPOINT
BEEMDSTRAAT 11, 5653 MA EINDHOVEN
THE NETHERLANDS
PHONE : +31 - 40 - 2507844
FAX : +31 - 40 - 2507860

CANADA

LENBROOK INDUSTRIES LIMITED
633 GRANITE COURT,
PICKERING, ONTARIO L1W 3K1
CANADA
PHONE : 905 - 831 - 6333
FAX : 905 - 831 - 6936

PROFESSIONAL AMERICAS

SUPERSCOPE TECHNOLOGIES, INC.
MARANTZ PROFESSIONAL PRODUCTS
2640 WHITE OAK CIRCLE, SUITE A
AURORA, ILLINOIS 60504 USA
PHONE : 630 - 820 - 4800
FAX : 630 - 820 - 8103

PROFESSIONAL AUSTRALIA

TECHNICAL AUDIO GROUP PTY, LTD
43-53 Bridge Rd.,
STANMORE NSW 2048
AUSTRALIA
PHONE : +61 - (0)2 - 9519 - 0900
FAX : +61 - (0)2 - 9519 - 0600

PROFESSIONAL HONG KONG

Jolly ProAudio Broadcast Engineering Ltd.
UNIT 2, 10F, WAH HUNG CENTRE,
41 HUNG TO ROAD, KWUN TONG, KLN.,
HONG KONG
PHONE : 852 - 21913660
FAX : 852 - 21913990

AUSTRALIA

QualiFi Pty Ltd,
24 LIONEL ROAD,
MT. WAVERLEY VIC 3149
AUSTRALIA
PHONE : +61 - (0)3 - 9543 - 1522
FAX : +61 - (0)3 - 9543 - 3677

THAILAND

MRZ STANDARD CO., LTD
746 - 754 MAHACHAI ROAD.,
WANGBURAPAPIROM, PHRANAKORN,
BANGKOK, 10200 THAILAND
PHONE : +66 - 2 - 222 9181
FAX : +66 - 2 - 224 6795

SINGAPORE

WO KEE HONG DISTRIBUTION PTE LTD
130 JOO SENG ROAD
#03-02 OLIVINE BUILDING
SINGAPORE 368357
PHONE : +65 6858 5535 / +65 6381 8621
FAX : +65 6858 6078

NEW ZEALAND

WILDASH AUDIO SYSTEMS NZ
14 MALVERN ROAD MT ALBERT
AUCKLAND NEW ZEALAND
PHONE : +64 - 9 - 8451958
FAX : +64 - 9 - 8463554

TAIWAN

PAI- YUING CO., LTD.
6 TH FL NO, 148 SUNG KIANG ROAD,
TAIPEI, 10429, TAIWAN R.O.C.
PHONE : +886 - 2 - 25221304
FAX : +886 - 2 - 25630415

MALAYSIA

WO KEE HONG ELECTRONICS SDN. BHD.
2ND FLOOR BANGUNAN INFINITE CENTRE
LOT 1, JALAN 13/6, 46200 PETALING JAYA
SELANGOR DARUL EHSAN, MALAYSIA
PHONE : +60 - 3 - 7954 8088
FAX : +60 - 3 - 7954 7088

JAPAN *Technical*

MARANTZ JAPAN, INC.
35- 1, 7- CHOME, SAGAMIONO
SAGAMIHARA - SHI, KANAGAWA
JAPAN 228-8505
PHONE : +81 42 748 1013
FAX : +81 42 741 9190

日本マランツ株式会社

本社 〒228-8505
神奈川県相模原市相模大野7-35-1

KOREA

MK ENTERPRISES LTD.
ROOM 604/605, ELECTRO-OFFICETEL, 16-58,
3GA, HANGANG-RO, YONGSAN-KU, SEOUL
KOREA
PHONE : +822 - 3232 - 155
FAX : +822 - 3232 - 154

SHOCK, FIRE HAZARD SERVICE TEST :

CAUTION : After servicing this appliance and prior to returning to customer, measure the resistance between either primary AC cord connector pins (with unit NOT connected to AC mains and its Power switch ON), and the face or Front Panel of product and controls and chassis bottom.

Any resistance measurement less than 1 Megohms should cause unit to be repaired or corrected before AC power is applied, and verified before it is return to the user/customer.

Ref. UL Standard No. 1492.

In case of difficulties, do not hesitate to contact the Technical Department at above mentioned address.

1. TECHNICAL SPECIFICATIONS

General

Power requirements AC 120V , 60 Hz
Power consumption 14W
Dimensions (approx.) 17.3 X 3.2 X 16.2 inches (440 X 80 X 410 mm) (w x h x d)
Mass (approx.) 11.2 lbs (5.1 kg)
Operating temperature 5°C to 35°C (41°F to 95°F)
Operating humidity 5 % to 90 %

System

LaserSemiconductor laser, wavelength 650 nm
Signal system NTSC
Frequency response [VC5400 /PMD970]..... DVD (DVD Audio 192 kHz): 8 Hz to 88 kHz
..... DVD (PCM 96 kHz): 8 Hz to 44 kHz
..... DVD (PCM 48 kHz): 8 Hz to 22 kHz
.....CD: 8 Hz to 20 kHz
Signal-to-noise ratio More than 100dB (ANALOG OUT connectors only)
Harmonic distortion Less than 0.008%
Dynamic range More than 100 dB (DVD)
..... More than 95 dB (CD)

Outputs

Video output 1 Vp-p 75 ohm, negative sync, RCA jack x 1
S-Video output (Y) 1.0 V (p-p), 75 ohm, negative sync, Mini DIN 4-pin x 1
..... (C) 0.3 V (p-p) 75 ohm
Component Video output (Y) 1.0 V (p-p), 75 ohm, negative sync, RCA jack x 1
..... (CB/PB)/(CR/PR) 0.7 V (p-p), 75 ohm, RCA jack x 2
Audio output (coaxial)0.5 V (p-p), 75 ohm, RCA jack x 1
Audio output (optical) Optical connector x 1
Audio output (analog 2ch) 2.0 Vrms , 600 ohm, RCA jack (L, R) x 1
Audio output (analog 5.1ch) [VC5400 /PMD970] 2.0 Vrms , 600 ohm, RCA jack x 6
Audio output 1, 2 [VC4400] 2.0 Vrms , 600 ohm, RCA jack x 2

Accessories

Video cable 1
Audio cable 1
Remote cable [VC5400 /PMD970] 1
Remote control unit (RC5400VC)..... 1
Batteries (AAA size) 2
Warranty card (for USA) 1
Warranty card (for CANADA)..... 1
User Guide 1

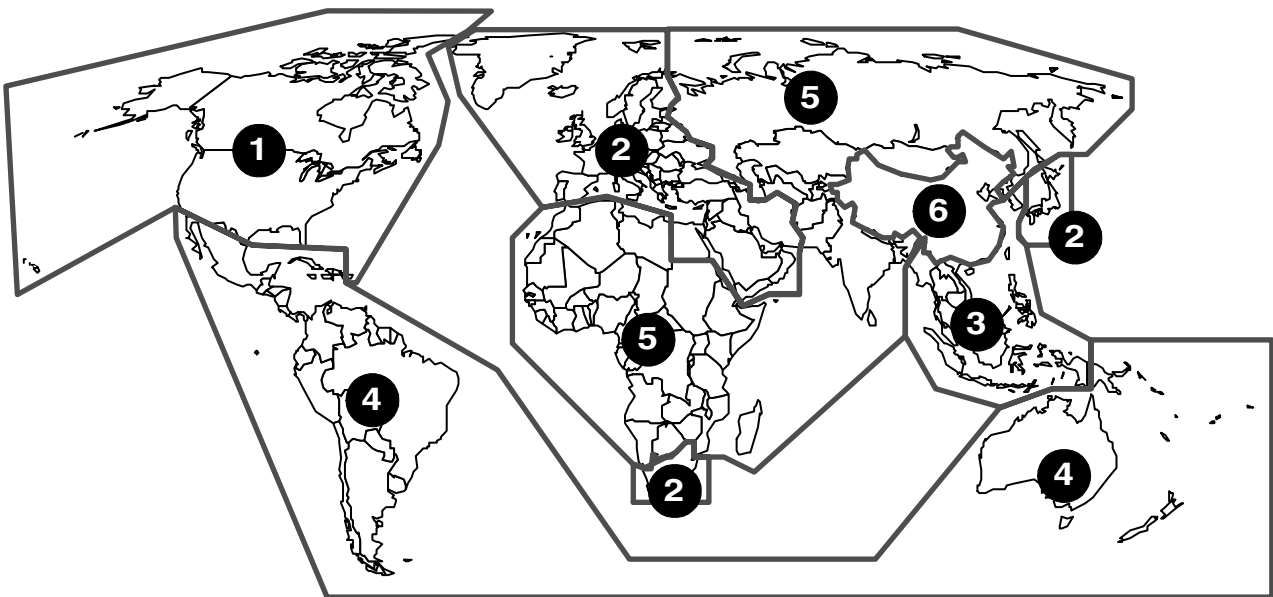
2. INFORMATIONS

REGIONAL CODES

What are "regional codes"?

Motion picture studios want to control the home release of movies in different countries because theater releases aren't simultaneous (a movie may come out on DVD in the US when it's just hitting screens in Europe). Therefore they have required that the DVD standard include codes which can be used to lock out the playback of certain discs in certain geographical regions. Players sold in each region will have that region's code built into the player. The player will refuse to play these "region coded" discs which are not allowed in the region. However, regional codes are entirely optional. Discs without codes will play on any player in any country. Some studios have already announced that only their new releases will have regional codes. There are six regions:

1. United States and Canada
2. Europe and Japan
3. Far East (except Japan & China)
4. South America and Oceania
5. Africa and the Middle East
6. China (except Hong Kong)



Map of DVD Regions

Playable Discs

	DVD video discs (8 cm / 12 cm disc)
	DVD audio discs (8 cm / 12 cm disc)
	Video CD (VCD) (8 cm / 12 cm disc)
	Audio CD (8 cm / 12 cm disc)

In addition, this unit can play a HDCD, DVD-R, DVD±RW, Kodak PICTURE CD, SVCD, and CD-R or CD-RW that contains audio titles, MP3, WMA or JPEG files.

Notes

- Depending on the conditions of the recording equipment or the CD-R/RW (or DVD-R/±RW) disc itself, some CD-R/RW (or DVD-R/±RW) discs cannot be played on the unit.
- Do not attach any seal or label to either side (the labeled side or the recorded side) of a disc.
- Do not use irregularly shaped CDs (e.g., heart-shaped or octagonal). It may result in malfunctions.

Notes on DVDs and Video CDs

Some playback operations of DVDs and Video CDs may be intentionally fixed by software manufacturers. As this unit plays DVDs and Video CDs according to disc content designed by the software manufacturer, some playback features of the unit may not be available or other functions may be added.

Refer also to the instructions supplied with the DVDs and Video CDs. Some DVDs made for business purposes may not be played on the unit.

Regional code of the DVD player and DVDs

This DVD player is designed and manufactured for playback of region “1” encoded DVD software. The region code on the labels of some DVD discs indicates which type of player can play those discs. This unit can play only DVD discs labeled “1” or “ALL”. If you try to play any other discs, the message “Check Regional Code” will appear on the TV screen. Some DVD discs may not have a region code label even though their playback is prohibited by area limits.



Disc-related terms

Title (DVD video discs only)

The main film content or accompanying feature content or additional feature content, or music album.

Each title is assigned a title reference number enabling you to locate it easily.

Chapter (DVD video discs only)

Sections of a picture or a musical piece that are smaller than titles. A title is composed of one or several chapters. Each chapter is assigned a chapter number, enabling you to locate the chapter you want. Depending on the disc, chapters may not be recorded.

Group (DVD audio discs only)

The main audio content or accompanying feature content or additional feature content, or music album. Each group is assigned a group reference number enabling you to locate it easily.

Track (DVD audio discs, Video CD and audio CD only)

Sections of a picture or a musical piece on a video CD or an audio CD. Each track is assigned a track number, enabling you to locate the track you want.

Scene

On a video CD with PBC (Playback control) functions, moving pictures and still pictures are divided into sections called “Scenes”. Each scene is displayed in the menu screen and assigned a scene number, enabling you to locate the scene you want.

A scene is composed of one or several tracks.

Types of video CDs

There are two types of video CDs:

Video CDs equipped with PBC (Version 2.0)

PBC (Playback control) functions allow you to interact with the system via menus, search functions, or other typical computer-like operations. Moreover, still pictures of high resolution can be played if they are included in the disc.

Video CDs not equipped with PBC (Version 1.1)

Operated in the same way as audio CDs, these discs allow playback of video pictures as well as sound, but they are not equipped with PBC.

HDCD (High Definition Compatible Digital®)

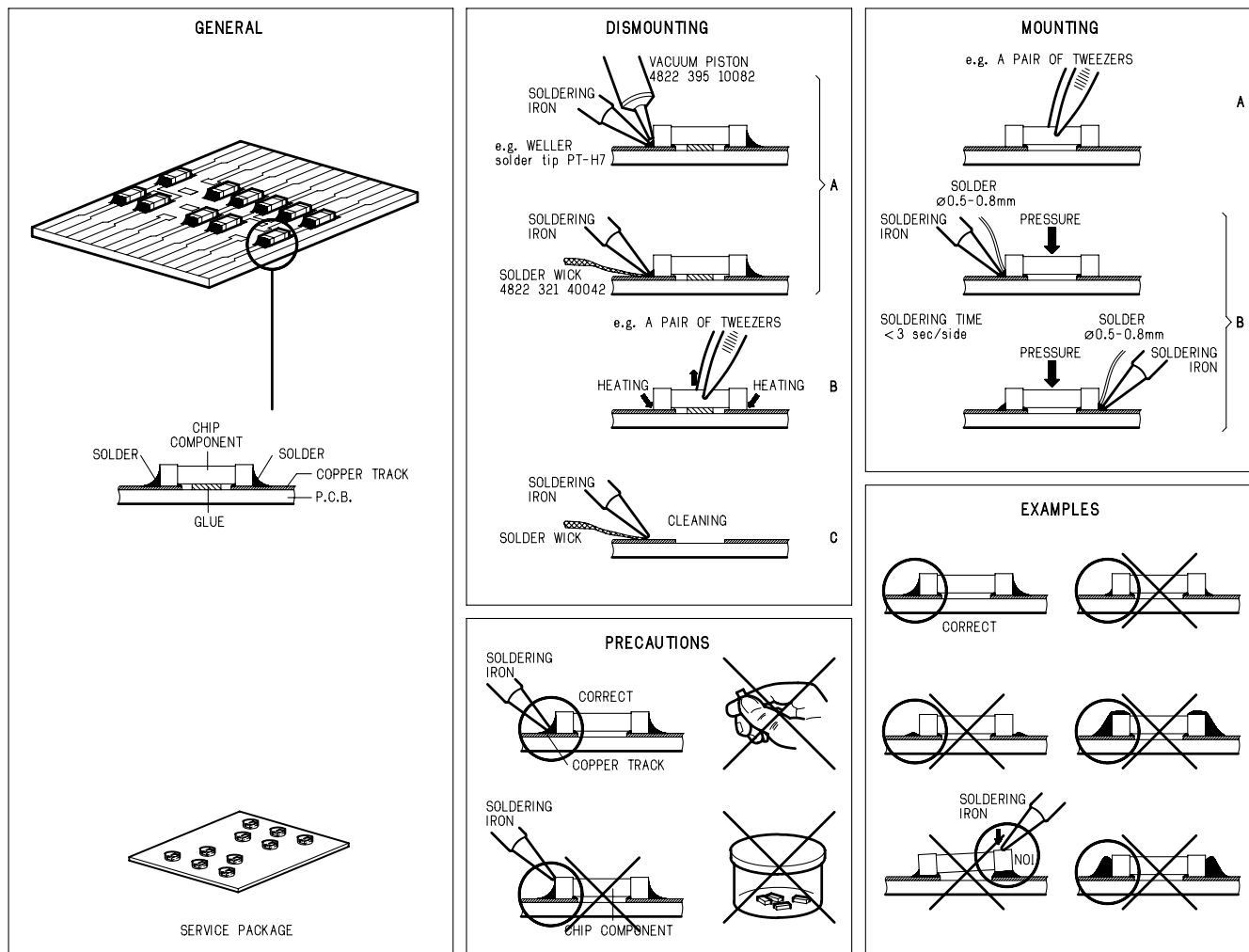
HDCD® (High Definition Compatible Digital®) is a recording system that has improved audio CD sound in dynamic range, sound field reproducibility and vocal acoustics.

This DVD player is equipped with an HDCD decoder. The HDCD indicator illuminates when playing an HDCD-encoded audio CD.

HDCD®, HDCD®, High Definition Compatible Digital® and Pacific Microsonics™ are either registered trademarks or trademarks of Pacific Microsonics, Inc. in the United States and/or other countries. HDCD system manufactured under license from Pacific Microsonics, Inc. This product is covered by one or more of the following patents: United States: 5,479,168, 5,638,074, 5,640,161, 5,808,574, 5,838,274, 5,854,600, 5,872,531 and 5,864,311. Australia: 669114. Other patents pending.

3. SERVICE HINTS AND TOOLS

SERVICE HINTS



SERVICE TOOLS

Audio signals disc	4822 397 30184
Disc without errors (SBC444)+	
Disc with DO errors, black spots and fingerprints (SBC444A)	4822 397 30245
Disc (65 min 1kHz) without no pause	4822 397 30155
Max. diameter disc (58.0 mm)	4822 397 60141
Torx screwdrivers	
Set (straight)	4822 395 50145
Set (square)	4822 395 50132
13th order filter	4822 395 30204
DVD test disc (PAL)	4822 397 10131
DVD test disc (NTSC) ALMEDIO	TDV-540

4. WARNING AND LASER SAFETY INSTRUCTIONS

GB WARNING

All ICs and many other semi-conductors are susceptible to electrostatic discharges (ESD). Careless handling during repair can reduce life drastically.
When repairing, make sure that you are connected with the same potential as the mass of the set via a wrist wrap with resistance.
Keep components and tools also at this potential.

ESD



NL WAARSCHUWING

Alle IC's en vele andere halfgeleiders zijn gevoelig voor elektrostatische ontladingen (ESD).
Onzorgvuldig behandelen tijdens reparatie kan de levensduur drastisch doen verminderen.
Zorg ervoor dat u tijdens reparatie via een polsband met weerstand verbonden bent met hetzelfde potentiaal als de massa van het apparaat.
Houd componenten en hulpmiddelen ook op ditzelfde potentiaal.

F ATTENTION

Tous les IC et beaucoup d'autres semi-conducteurs sont sensibles aux décharges statiques (ESD).
Leur longévité pourrait être considérablement écourtée par le fait qu'aucune précaution n'est prise à leur manipulation.
Lors de réparations, s'assurer de bien être relié au même potentiel que la masse de l'appareil et enfiler le braceleterti d'une résistance de sécurité.
Veiller à ce que les composants ainsi que les outils que l'on utilise soient également à ce potentiel.

D WARNUNG

Alle IC und viele andere Halbleiter sind empfindlich gegen elektrostatische Entladungen (ESD).
Unvorsichtige Behandlung bei der Reparatur kann die Lebensdauer drastisch vermindern.
Sorgen sie dafür, das Sie im Reparaturfall über ein Pulsarmband mit Widerstand mit dem Massepotential des Gerätes verbunden sind.
Halten Sie Bauteile und Hilfsmittel ebenfalls auf diesem Potential.

I AVVERTIMENTO

Tutti IC e parecchi semi-conduttori sono sensibili alle scariche statiche (ESD).
La loro longevita potrebbe essere fortemente ridatta in caso di non osservazione della piu grande cauzione alla loro manipolazione.
Durante le riparazioni occorre quindi essere collegato allo stesso potenziale che quello della massa dell'apparecchio tramite un braccialetto a resistenza.
Assicurarsi che i componenti e anche gli utensili con quali si lavora siano anche a questo potenziale.

GB

Safety regulations require that the set be restored to its original condition and that parts which are identical with those specified be used.

NL

Veiligheidsbepalingen vereisen, dat het apparaat in zijn oorspronkelijke toestand wordt terug gebracht en dat onderdelen, identiek aan de gespecificeerde worden toegepast.

D

Bei jeder Reparatur sind die geltenden Sicherheitsvorschriften zu beachten. Der Originalzustand des Gerats darf nicht verändert werden. Für Reparaturen sind Original-Ersatzteile zu verwenden.

I

Le norme di sicurezza esigono che l'apparecchio venga rimesso nelle condizioni originali e che siano utilizzati pezzi di ricambio idetici a quelli specificati.



F

Les normes de sécurité exigent que l'appareil soit remis à l'état d'origine et que soient utilisées les pièces de rechange identiques à celles spécifiées.

SHOCK, FIRE HAZARD SERVICE TEST:

CAUTION: After servicing this appliance and prior to returning to customer, measure the resistance between either primary AC cord connector pins (with unit NOT connected to AC mains and its Power switch ON), and the face or Front Panel of product and controls and chassis bottom,
Any resistance measurement less than 1 Megohms should cause unit to be repaired or corrected before AC power is applied, and verified before return to user/customer.
Ref.UL Standard NO.1492.

NOTE ON SAFETY:

Symbol  : Fire or electrical shock hazard. Only original parts should be used to replace any part with symbol 
Any other component substitution (other than original type), may increase risk of fire or electrical shock hazard.

Pour votre sécurité, ces documents doivent être utilisés par des spécialistes agréés, seuls habilités à réparer votre appareil en panne.

LASER SAFETY

This unit employs a laser. Only a qualified service person should remove the cover or attempt to service this device, due to possible eye injury.

LASER DEVICE UNIT

Type: SemiconductorlaserGaAlAs
Wave length: 650 nm (DVD)
780 nm (VCD/CD)
Output Power: 7 mW (DVD)
10 mW (VCD/CD)
Beam divergence: 60 degree



USE OF CONTROLS OR ADJUSTMENTS OR PERFORMANCE OF PROCEDURE OTHER THAN THOSE SPECIFIED HEREIN MAY RESULT IN HAZARDOUS RADIATION EXPOSURE.

AVOID DIRECT EXPOSURE TO BEAM

WARNING

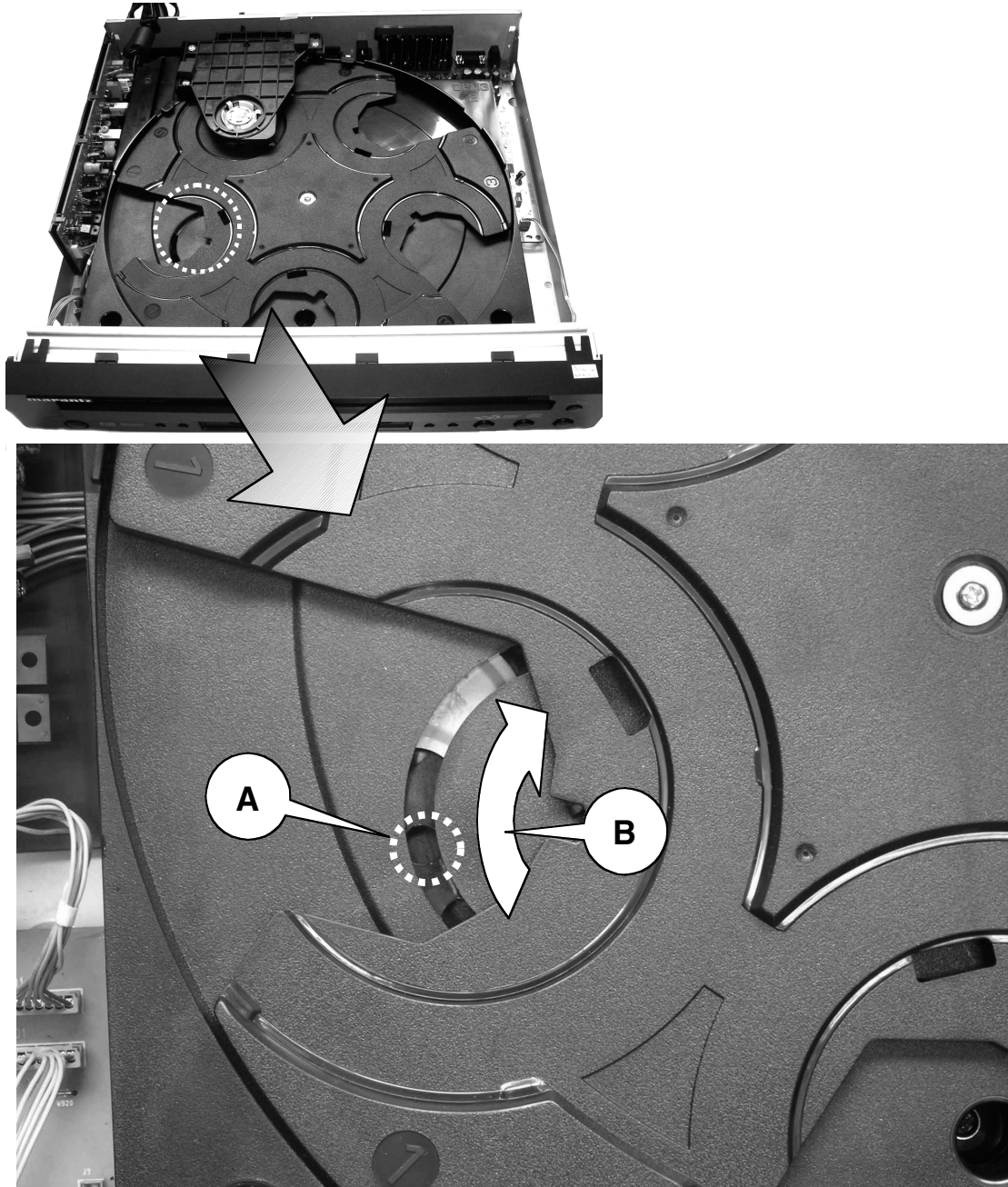
The use of optical instruments with this product will increase eye hazard.
Repair handling should take place as much as possible with a disc loaded inside the player

WARNING LOCATION: INSIDE ON LASER COVERSIELD

CAUTION VISIBLE AND INVISIBLE LASER RADIATION WHEN OPEN AVOID EXPOSURE TO BEAM
ADVARSEL SYNLIG OG USYNLIG LASERSTRÅLING VED ÅBNING UNDGÅ UDSÆTTELSE FOR STRÅLING
ADVARSEL SYNLIG OG USYNLIG LASERSTRÅLING NÅR DEKSEL ÅPNES UNNGÅ EKSPONERING FOR STRÅLEN
WARNING SYNLIG OCH OSYNLIG LASERSTRÅLNING NÅR DENNA DEL ÅR ÖPPNAD BETRAKTA EJ STRÅLEN
VARO! AVATT AESSA OLET ALTTIINA NÄKYVÄLLE JA NÄKYMÄTTÖMÄLLE LASER SÄTEILYLLE. ÄLÄ KATSO SÄT Eeseen
VORSICHT SICHTBARE UND UNSICHTBARE LASERSTRAHLUNG WENN ABDECKUNG GEÖFFNET NICHT DEM STRAHL AUSSETSEN
DANGER VISIBLE AND INVISIBLE LASER RADIATION WHEN OPEN AVOID DIRECT EXPOSURE TO BEAM
ATTENTION RAYONNEMENT LASER VISIBLE ET INVISIBLE EN CAS D'OUVERTURE EXPOSITION DANGEREUSE AU FAISCEAU

5. TAKING THE DISC OUT OF EMERGENCY

1. Release 7 screws.
2. Lift the top case with holding the back of it and remove backward.
3. Turn the (A) portion to the direction of arrow (B).
4. Then the tray is moved a little. Pull the tray with your hand at this time.



6. SERVICE MODE

How to upgrade by upgrade DISC. (*VC5400xxx)

First, connect a TV or monitor to the DVD Player and Operate by using Remote Controller.

- 1) Press the **POWER** button to turn on the unit.
- 2) Press the **OPEN/CLOSE** button to open the tray, Insert the update CD-ROM (part No.:*VC5400xxx).
- 3) Press the **OPEN/CLOSE** button to close the tray.
- 4) After about 30 seconds, The disc tray opens automatically.

TV or monitor indicates

Firmware Upgrade Mode
Upgrading:0
Take off the disc and press UP key to upgrade

- 5) Remove the CD-ROM from the disc tray.
- 6) Press **ARROW (up)** button of the Remote Controller.

ARROW(up)



- 7) The disc tray close, Firmware update will be done automatically.
Updating takes about 1 minute.
When updating is finished, TV or monitor screen shows the initial pictures as shown below.

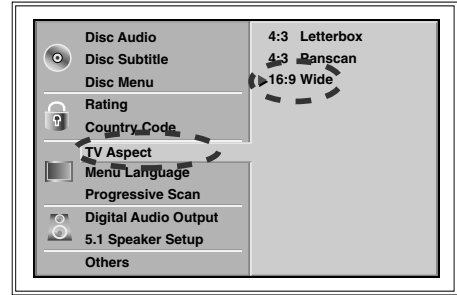


Upgrade is completed

2. Micro- Processor version check

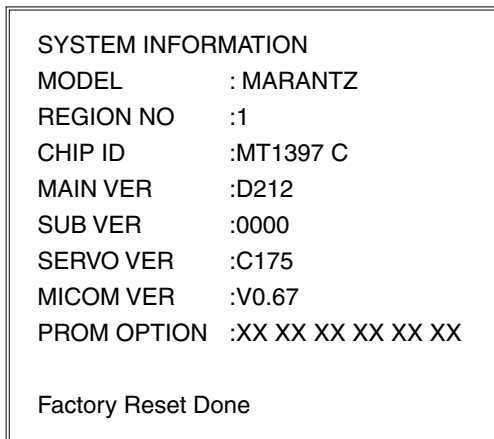
The software version of the micro- processor is displayed on the TV or monitor.
The procedures are following.

- 1) Press **POWER** button.
- 2) Press **SETUP** button.
- 3) Select "TV Aspect" and ► **16:9 wide**
- 4) Press "Numeric button" in the following turn.
 (1) → (3) → (9) → (7) → (1) → (3) → (9)
- 5) Press **SELECT/ENTER** button.



The connected TV indicates "SYSTEM INFORMATION"
Please check "MICOM VER".

Example indicated



Turn off power to quit Service Mode.



3. Error message

During reading the upgrade disc, error messages are as follows

[Error Num] = 1 ~ 3

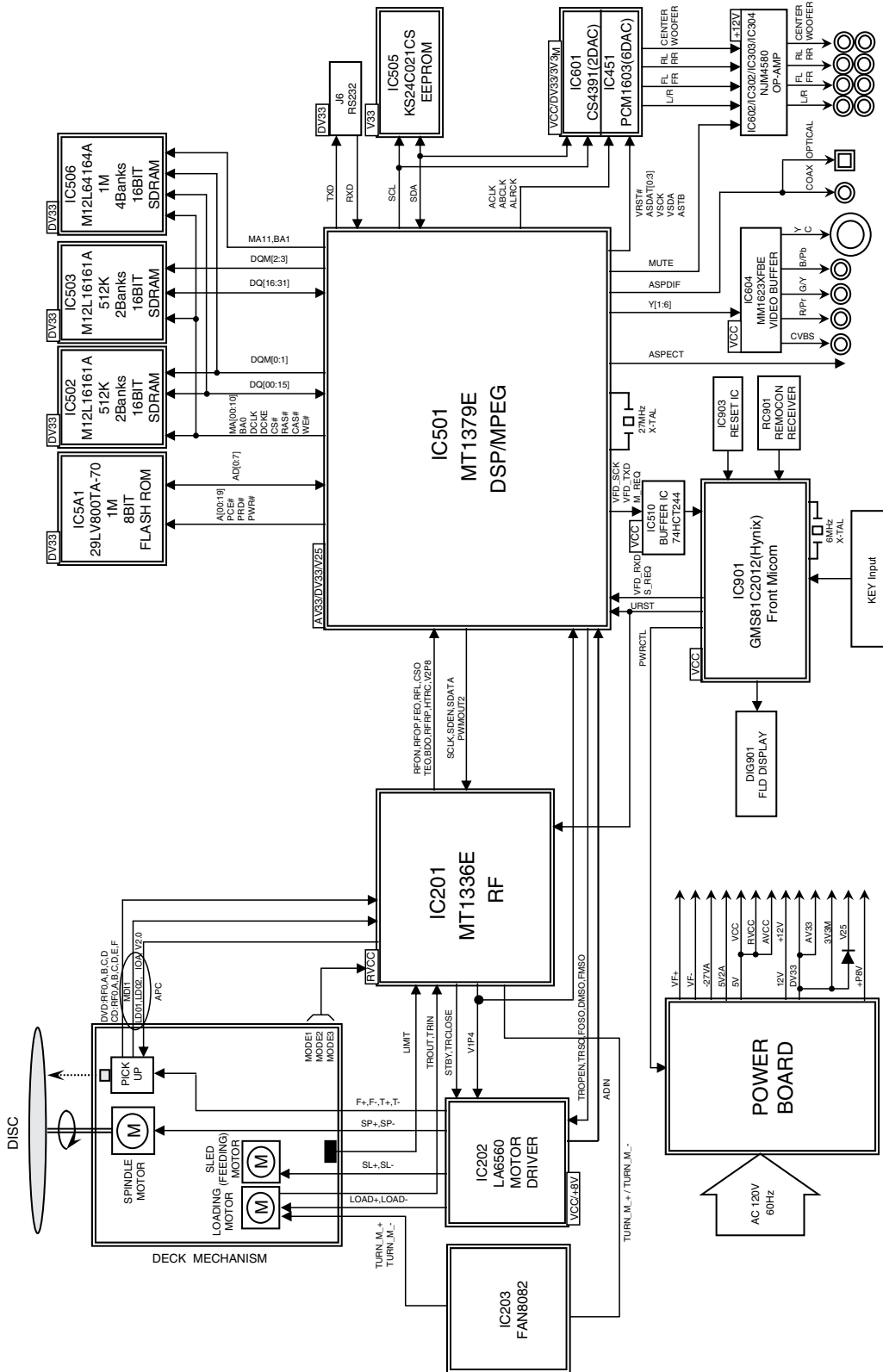
You can retry to upgrade by disc.
Because, flash ROM is not erased data yet.

[Error Num] = 4 ~

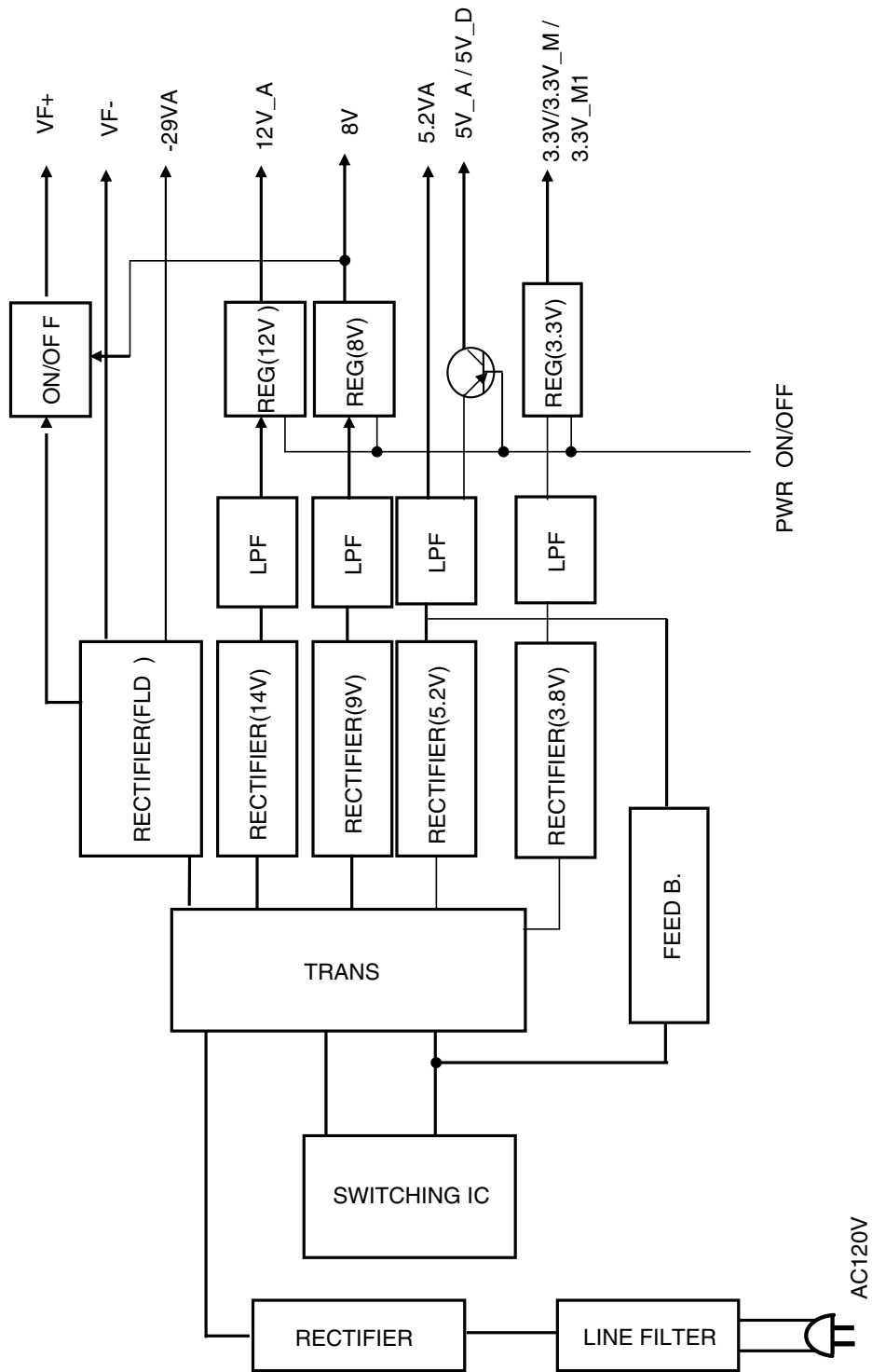
It is very worst case. The flash ROM is broken during erasing or programming.
You need to rewrite from hardware (PC) for using another jig.

7. BLOCK DIAGRAMS

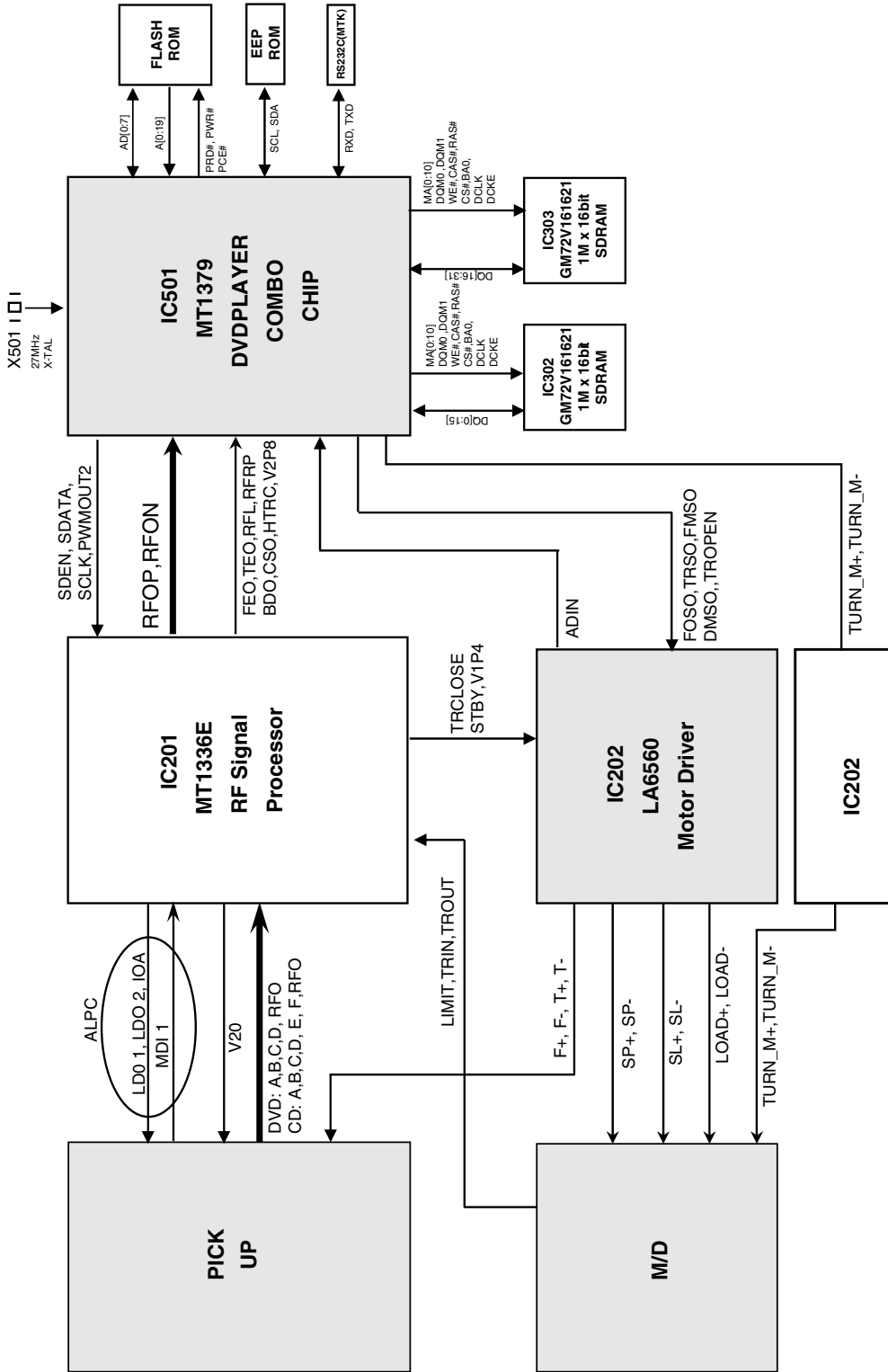
1. Overall Block Diagram



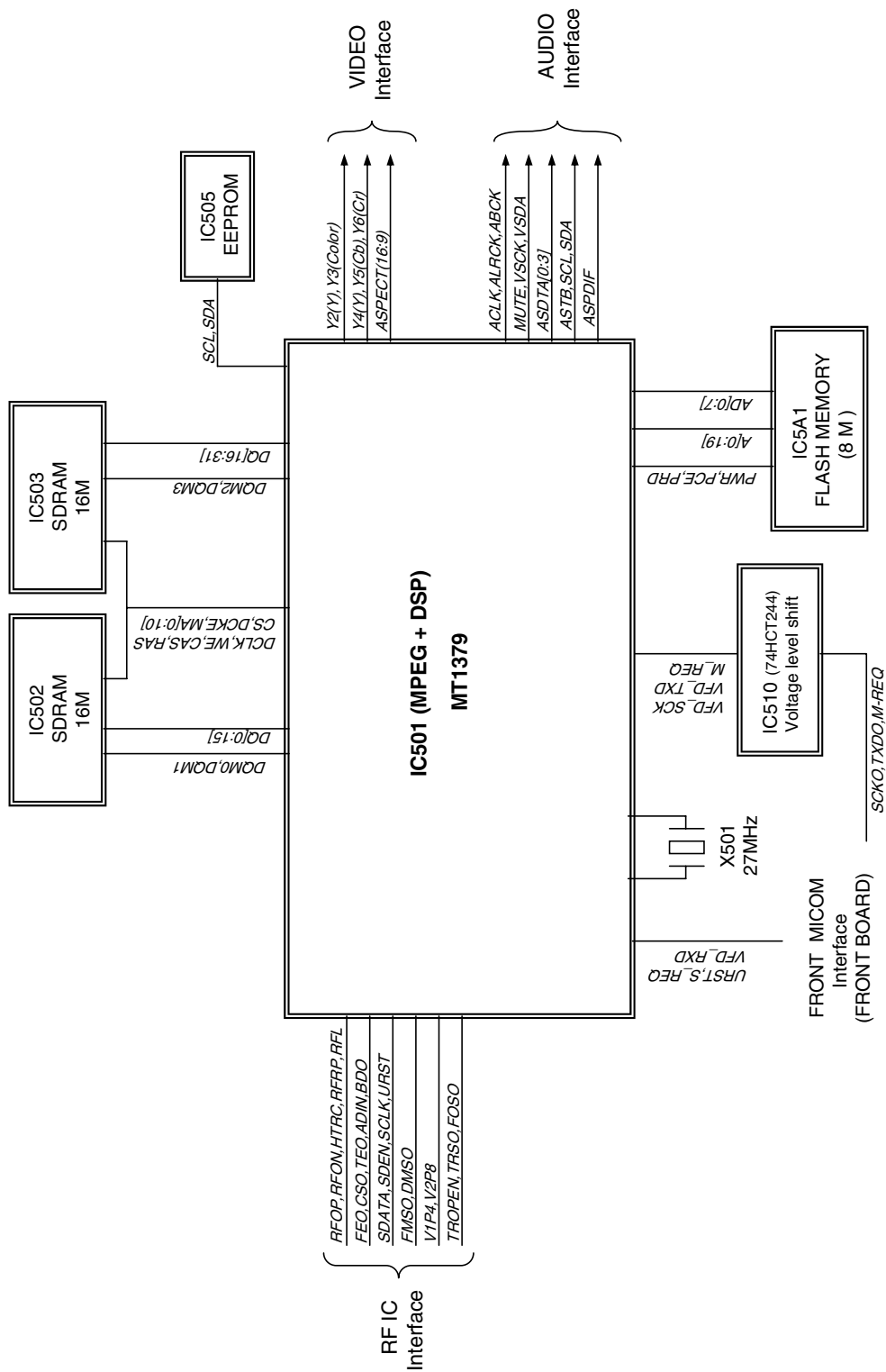
2. Power(SMPS) Block Diagram



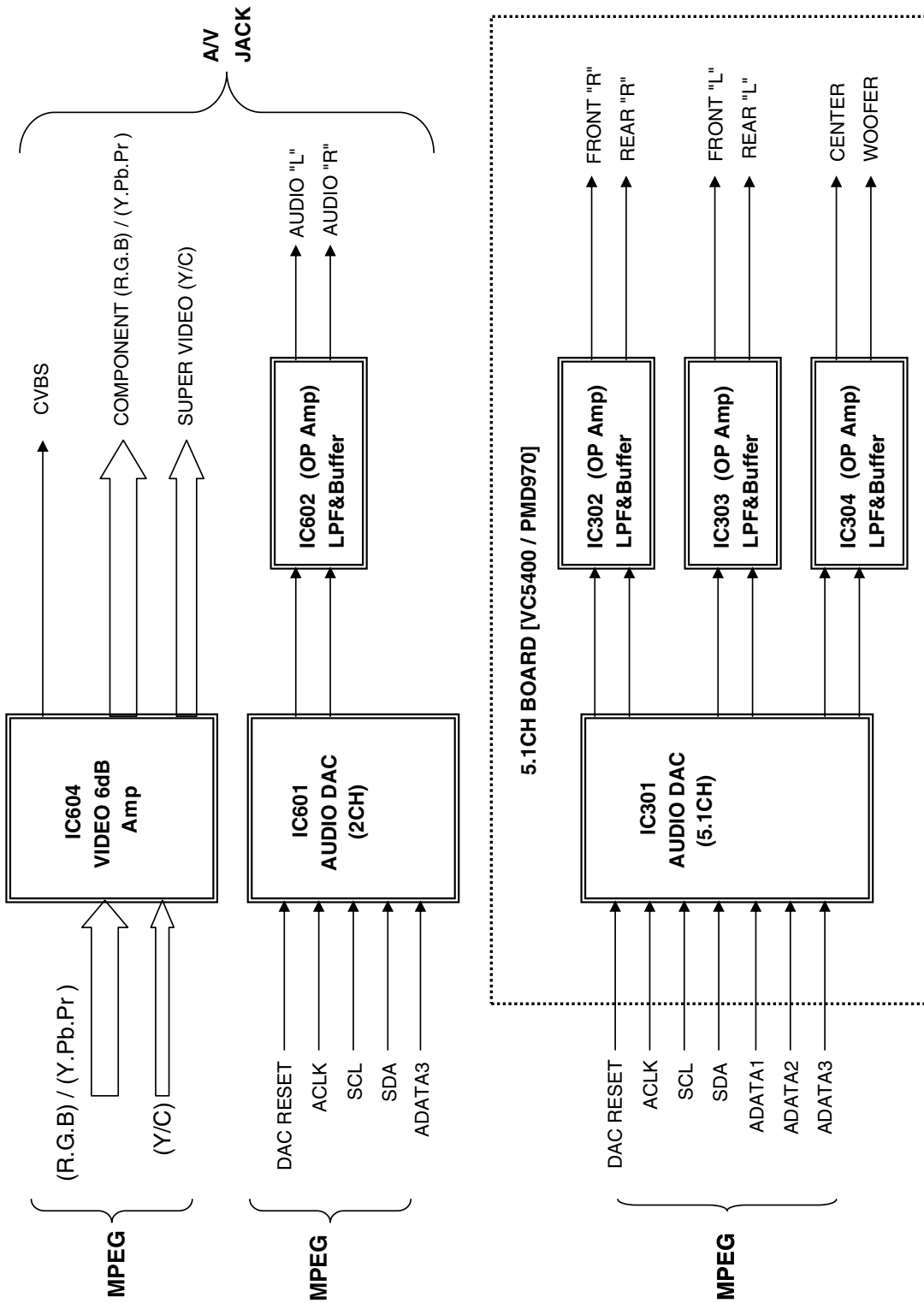
3. SERVO Block Diagram



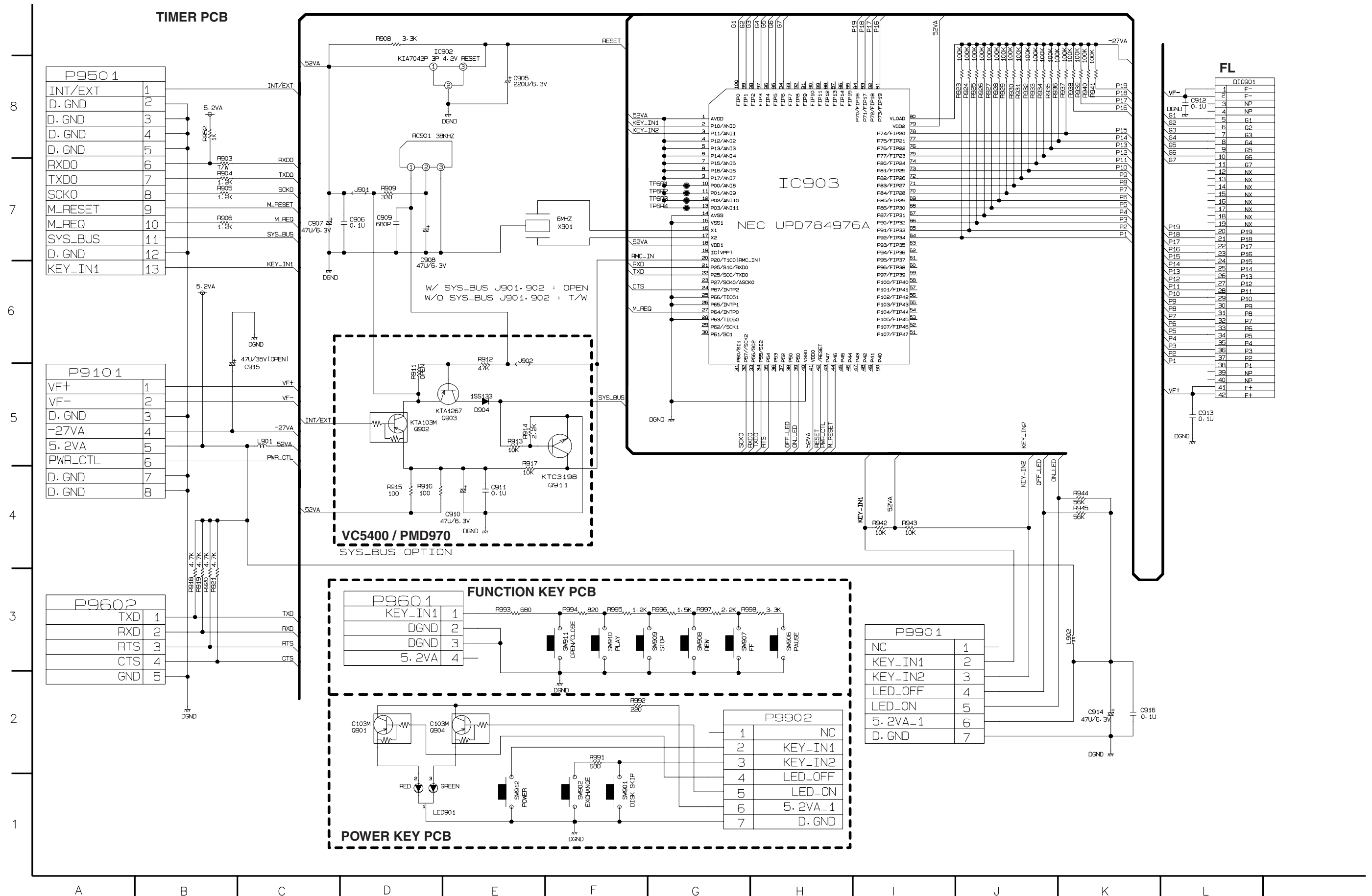
4. MPEG & MEMORY Block Diagram



5. VIDEO & AUDIO Block Diagram

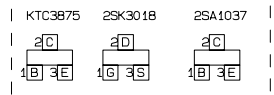


8. SCHEMATIC DIAGRAM



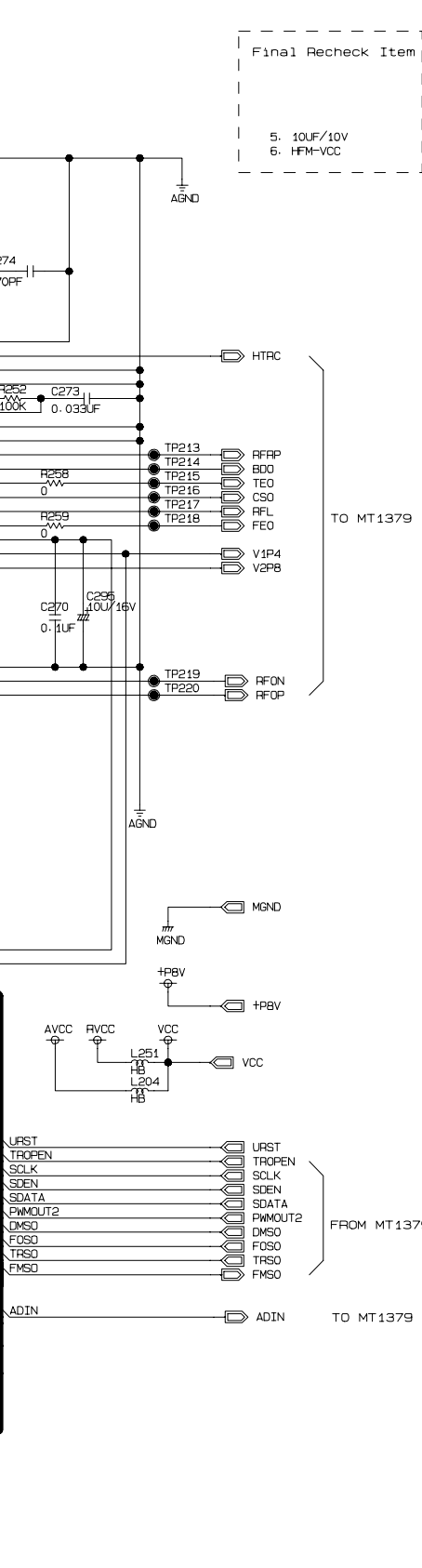
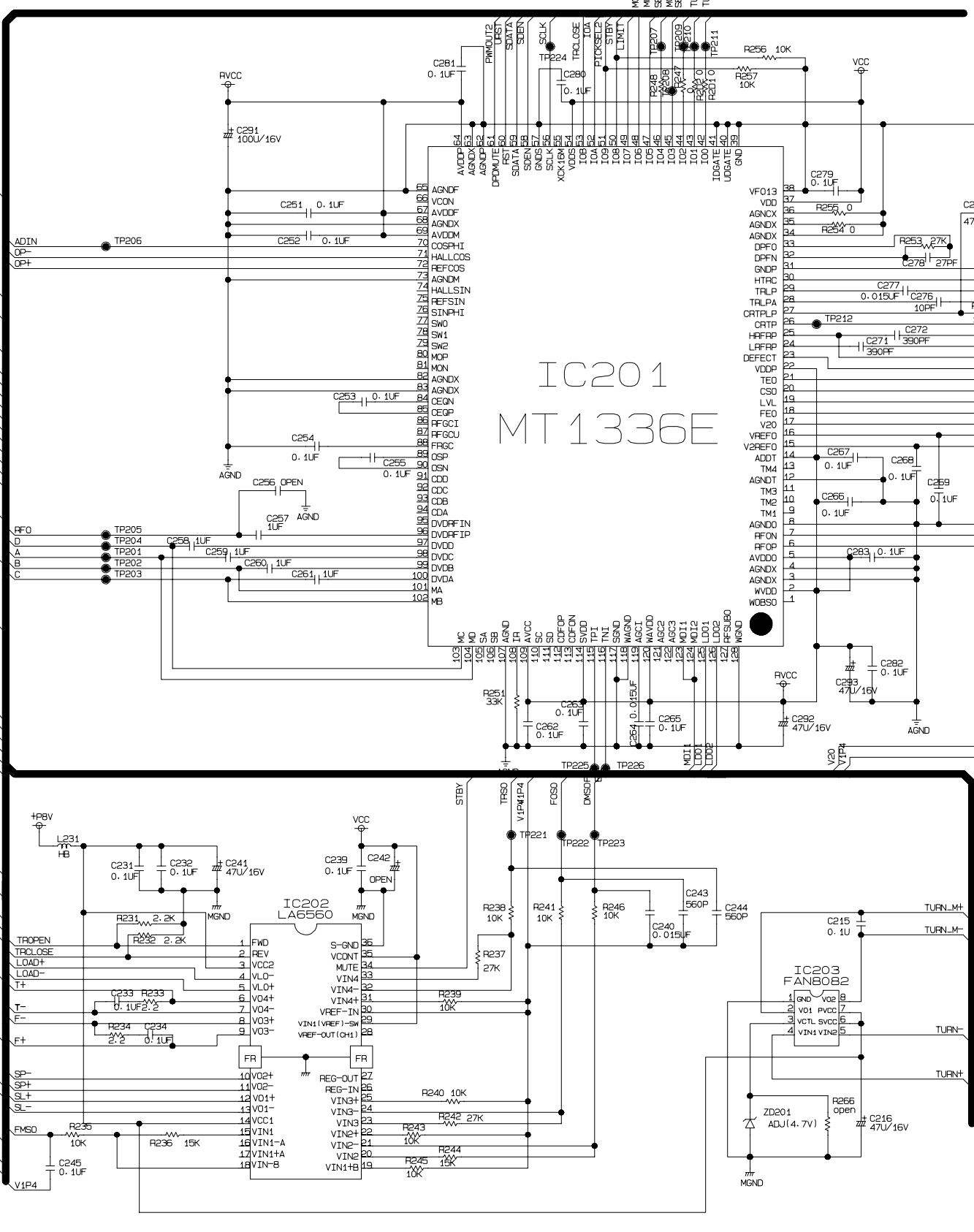
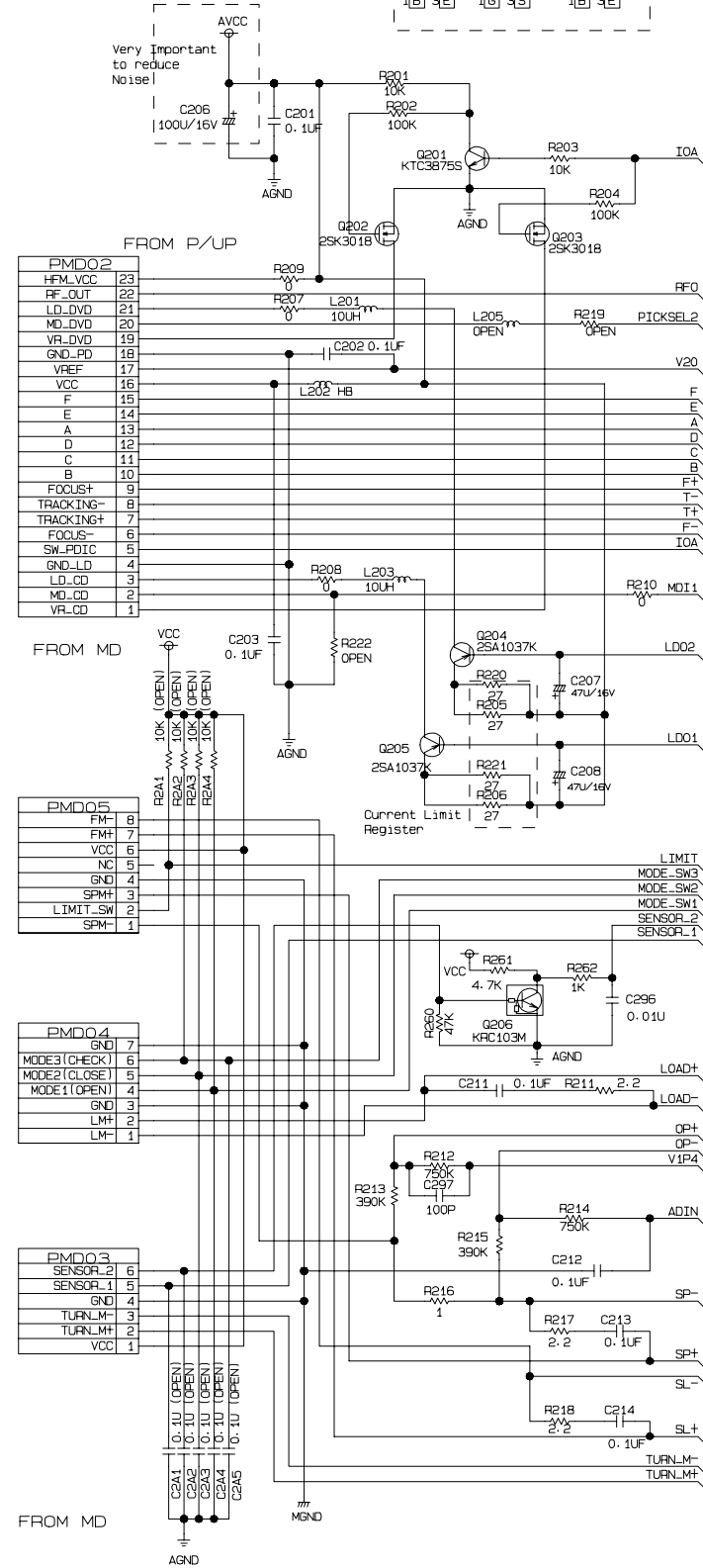
MAIN PCB - 1/4

TR & FET DEFINE



Final Recheck Item
5. 10UF/10V
6. HFH-VCC

8
7
6
5
4
3
2
1



A B C D E F G H I J K L

8

7

3

5

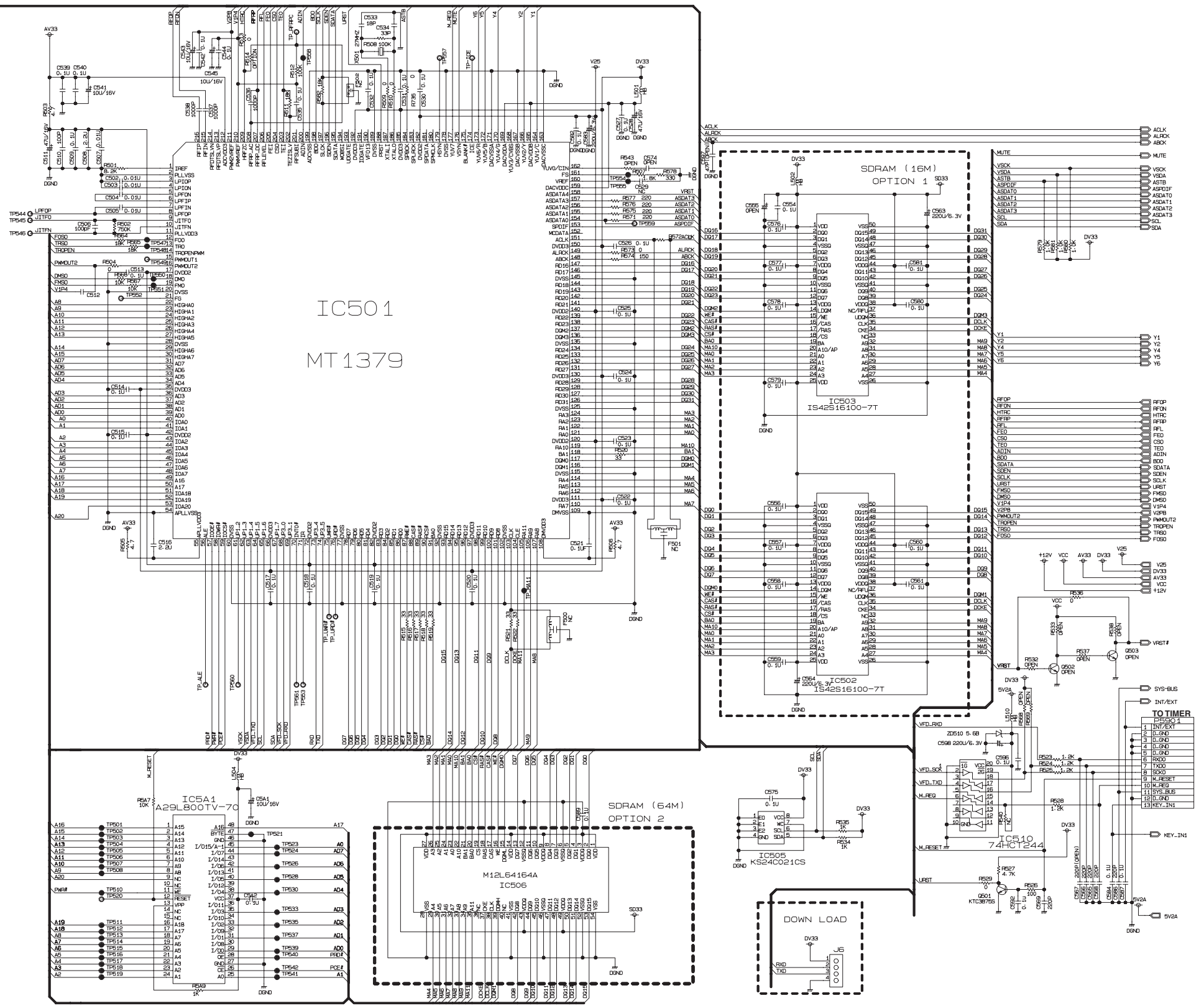
4

3

2

1

MAIN PCB - 2/4



MAIN PCB - 3/4

8

7

6

5

4

3

2

1

A

B

C

D

E

F

G

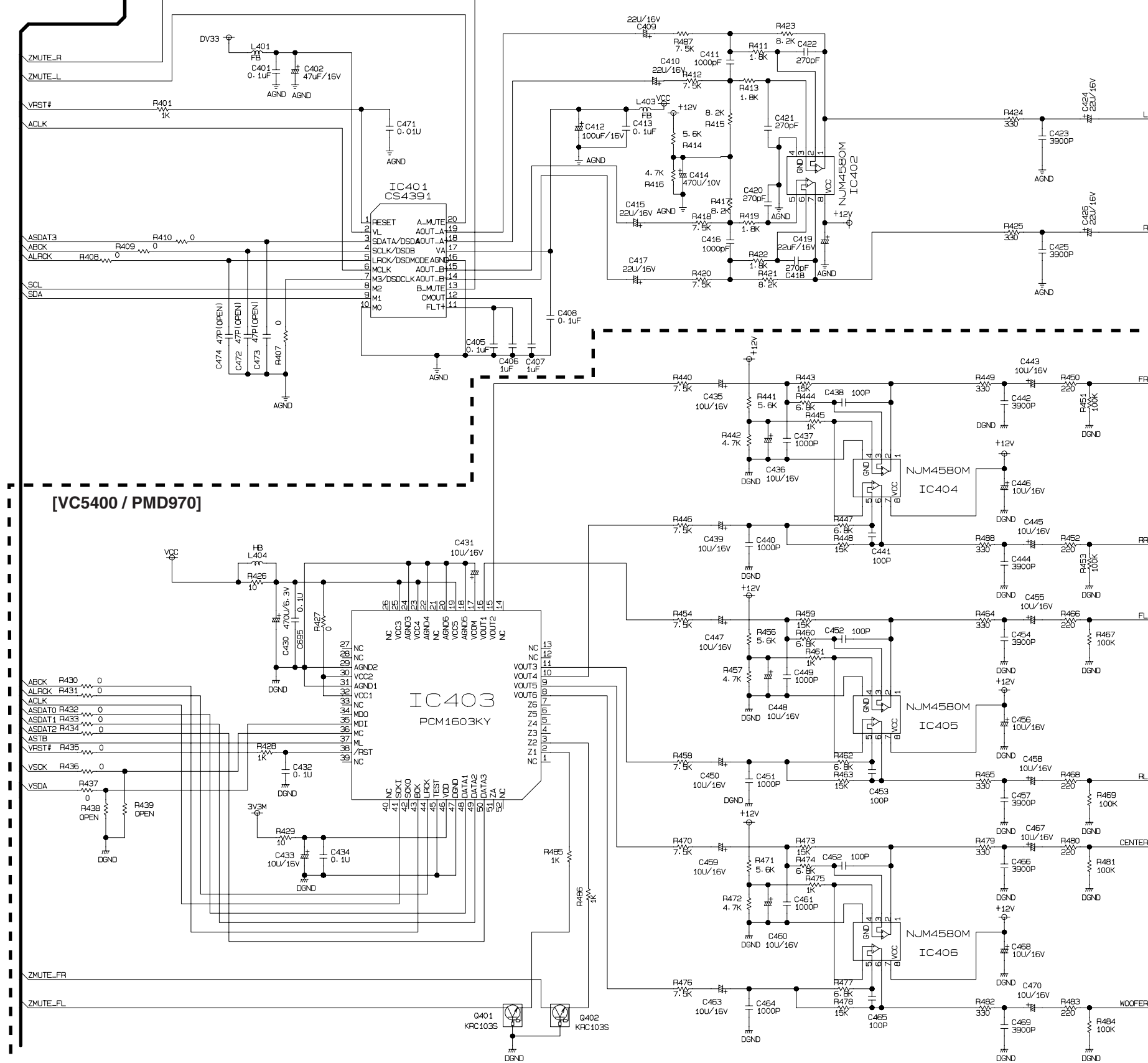
H

I

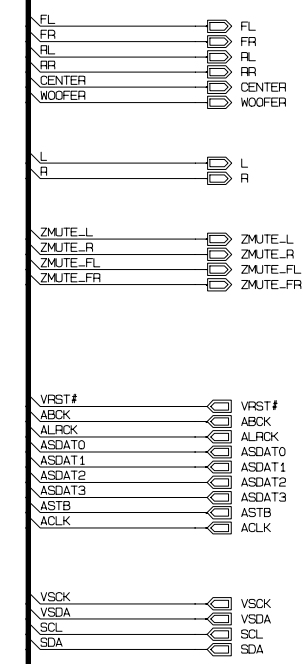
J

K

L



[VC5400 / PMD970]



8
7
3
5
4
3
2
1

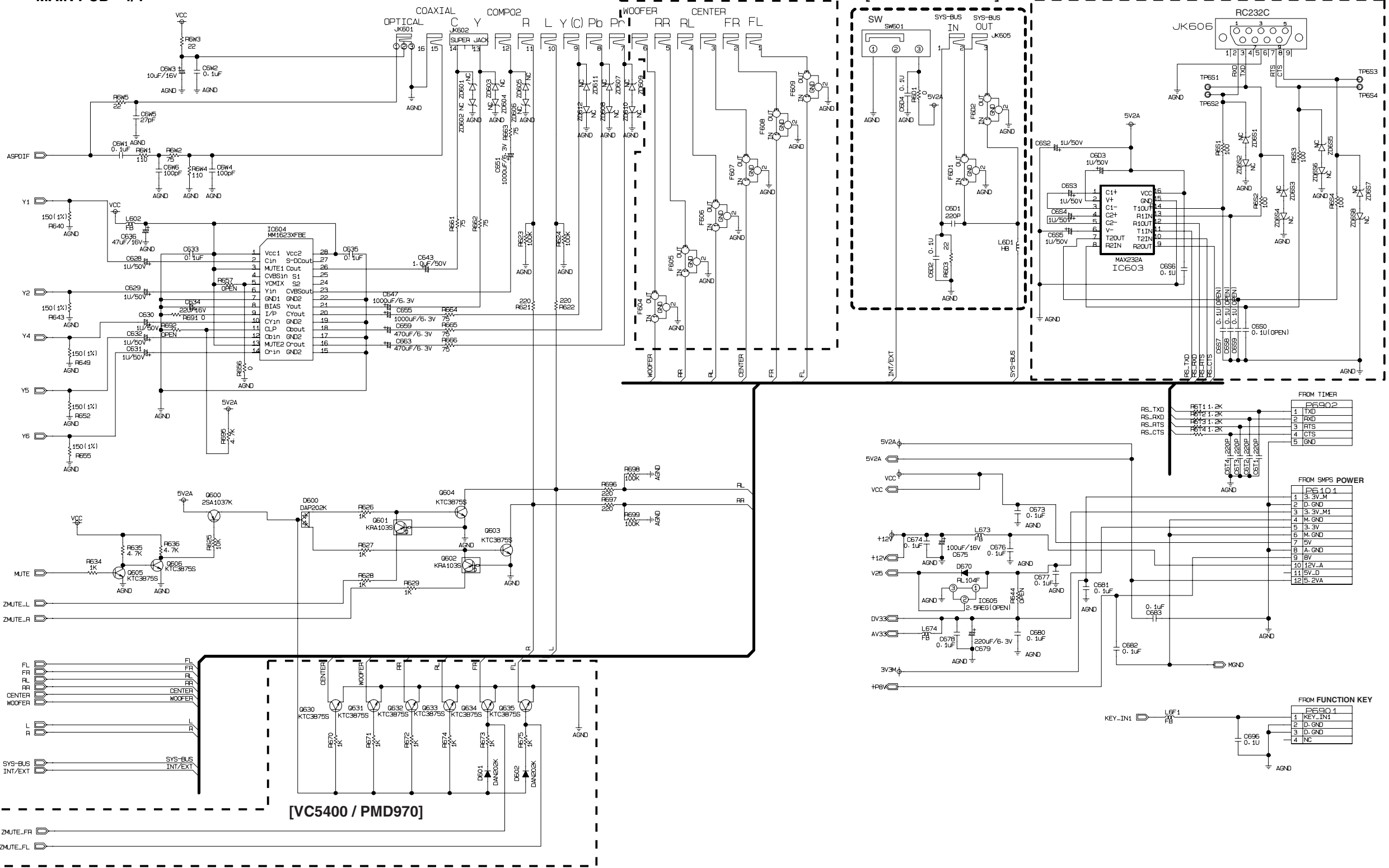
MAIN PCB - 4/4

A/V OUTPUT

[VC5400 / PMD970]

[VC5400 / PMD970]

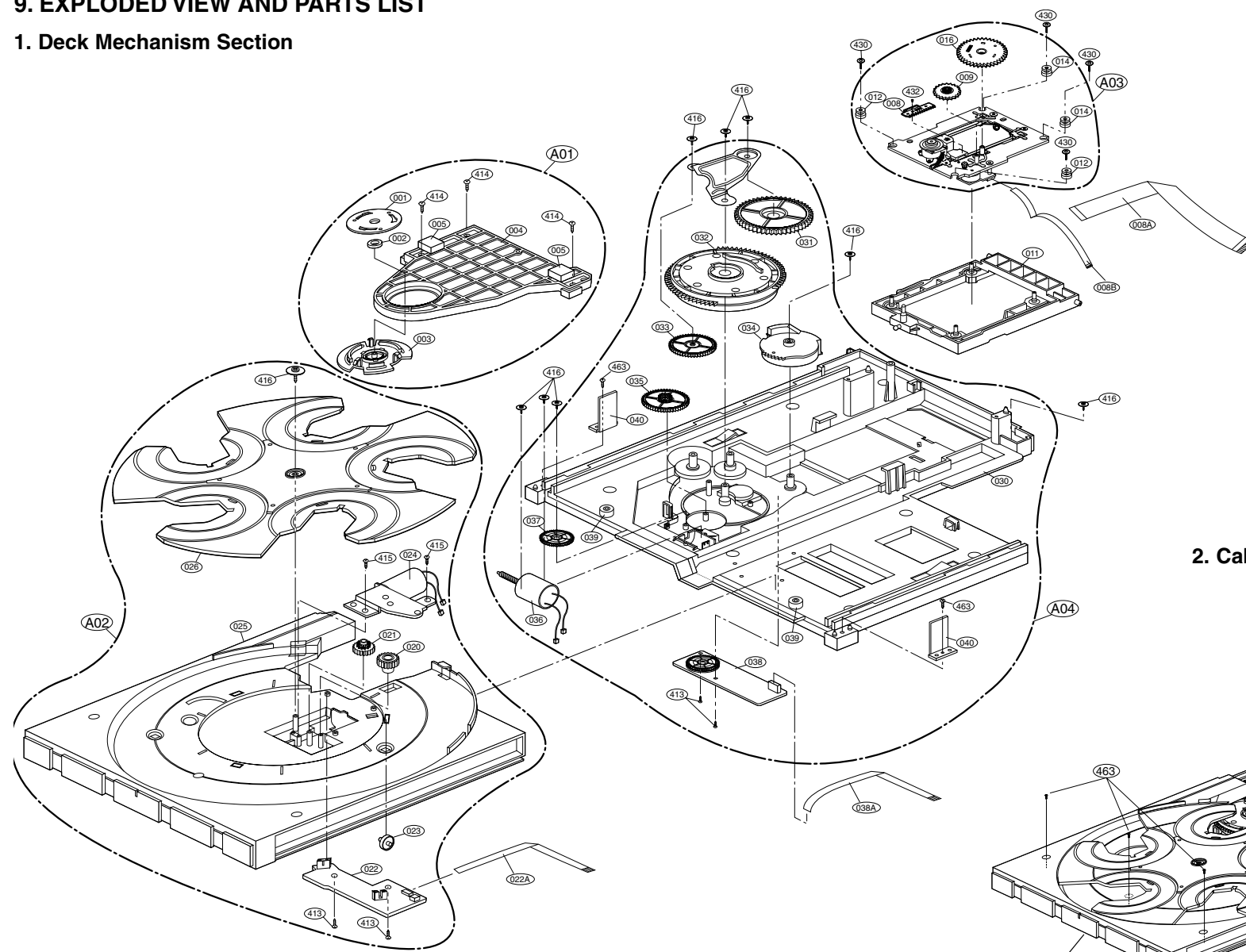
[VC5400 / PMD970]



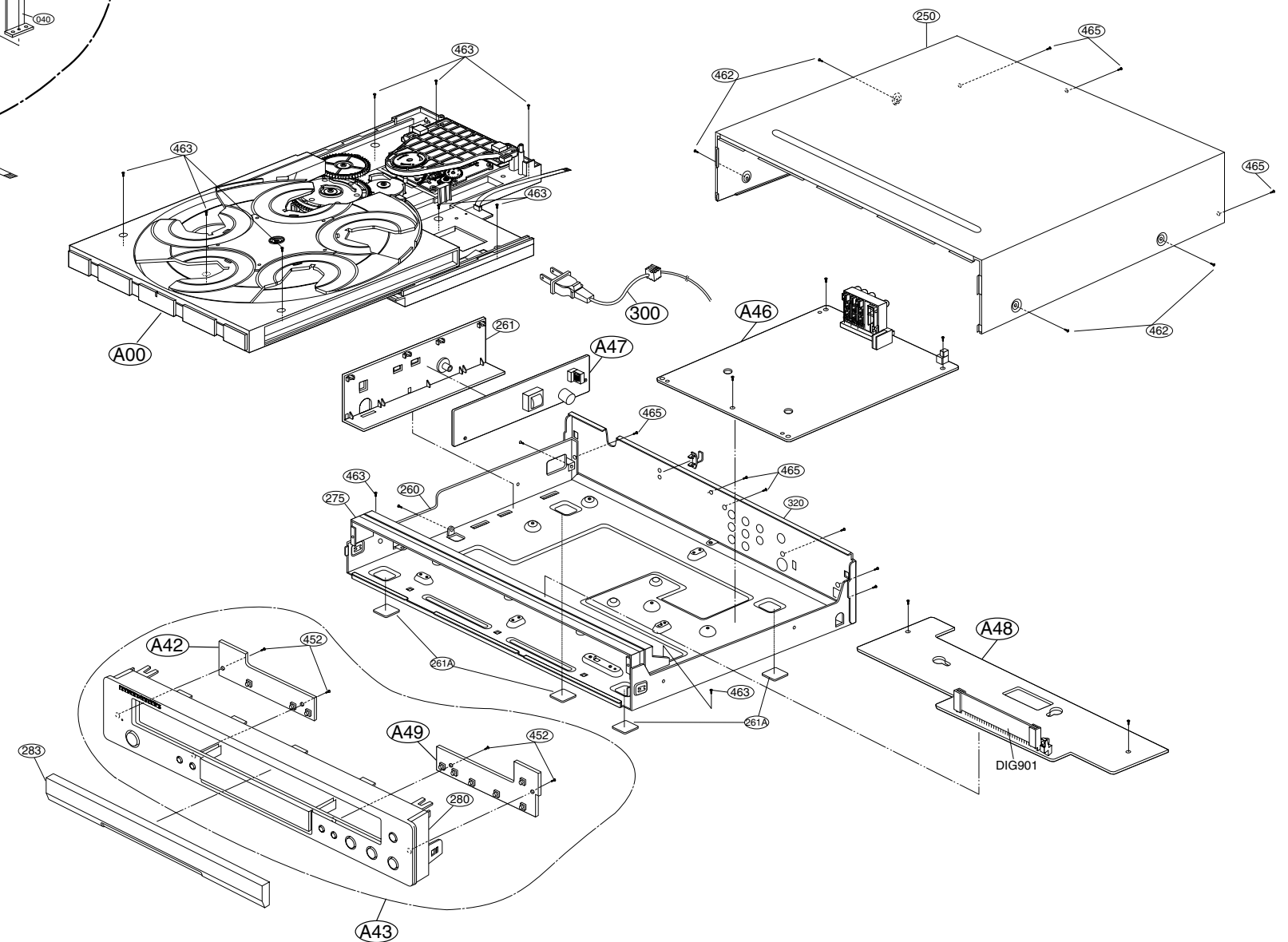
A B C D E F G H I J K L

9. EXPLODED VIEW AND PARTS LIST

1. Deck Mechanism Section



2. Cabinet and Main Frame Section



5400, 970 : VC5400, PMD970

POS. NO	VERS. COLOR	PART NO. (FOR EUR)	PART NO. (MJI)	DESCRIPTION		
CABINET AND MAIN FRAME SECTION						
A00			nsp	MECHANISM	DECK/MECHA DPM-4	6721RH0342A
A42			nsp	PCB ASSY	POWER KEY PCB	6871R-6863A
A43	VC5400		nsp	PANEL ASSY	FRONT PANEL ASSY VC5400	3501RF8213A
A43	VC4400		nsp	PANEL ASSY	FRONT PANEL ASSY VC4400	3501RF8213B
A43	PMD970		nsp	PANEL ASSY	FRONT PANEL ASSY PMD970	3501RF8213C
A46	PMD970		nsp	PCB ASSY	MAIN PCB PMD970 (HA1UMMP)	6885R-0700B
A46	VC5400		nsp	PCB ASSY	MAIN PCB VC5400 (HA1UMMV)	6885R-0700C
A46	VC4400		nsp	PCB ASSY	MAIN PCB VC4400 (HA1UMM)	6885R-0700D
A47			nsp	PCB ASSY	POWER PCB	6871R-6857A
A48	5400, 970		nsp	PCB ASSY	TIMER PCB	6871R-6858A
A48	VC4400		nsp	PCB ASSY	TIMER PCB (HA1UMM)	6871R-6858B
A49			nsp	PCB ASSY	FUNCTION KEY PCB	6871R-6864A
260	VC5400		nsp	CHASSIS	CHASSIS ASSY VC5400	3141R-D018A
260	VC4400		nsp	CHASSIS	CHASSIS ASSY VC4400	3141R-D018B
260	PMD970		nsp	CHASSIS	CHASSIS ASSY PMD970	3141R-D018C
261			31AW271010	HOLDER	FOR POWER PCB	4930R-0350A
261A			nsp	RUBBER	FOOT(SILICONE SPONGE DS-08)	5040R-0069D
275			nsp	HOLDER	BRACKET	4930R-0351A
280	VC5400		31AW248510	PANEL ASSY	FRONT PANEL ASSY VC5400	3721R-F370A
280	VC4400		31AW248520	PANEL ASSY	FRONT PANEL ASSY VC4400	3721R-F370B
280	PMD970		31AW248580	PANEL ASSY	FRONT PANEL ASSY PMD970	3721R-F370C
283	5400, 970		31AW063010	ESCUTCHEON	BLACK MOLD TRAY	3580R-T099A
283	VC4400		31AW063020	ESCUTCHEON	BLACK MOLD TRAY FOR VC4400	3580R-T099B
▲ 300			*YC000810R	MAINS CORD	SP-120P/JL001 CHAUS/JULIAN UL	6410RAHX02A
452			nsp	SCREW	SPECIAL	353-051A
463			nsp	SCREW	SPECIAL (3X12)	353-051E
463			nsp	SCREW	D3.0 L8.0 MSWR3/FN TB ROUND	353-051G
465			nsp	SCREW	SPECIAL (3X10 B.K)	353-046K
467			nsp	SCREW	SPECIAL(3X8 BK.)	353-046N
G101			nsp	GASKET	EMI SHIELD(DV4511N)	4986R-0001C
G102			nsp	GASKET	EMI SHIELD(DV4511N)	4986R-0001C
G103			nsp	GASKET	EMI SHIELD(DV4511N)	4986R-0001C
DECK MECHANISM SECTION						
A01			31AW271510	HOLDER ASSY	DECK/MECHA CLAMP DPM4 - SH	4931R-0081A
A02			31AW163510	TRAY ASSY	DPM4 TRAY - SH	3041R-M019A
A03			31AW304510	MECHANISM	SLED DP-7C(DPM4) - SH	3041R-M020A
A04			31AW105510	CHASSIS ASSY	DPM3 MAIN -SH	3041R-0068B
001			nsp	PLATE	CLAMP	3300R-0547A
002			nsp	MAGNET	CLAMP(LDM-R608 10*5 1*1.5T)	5016H-1016B
003			nsp	CLAMP	DECK/MECHA UPPER (DPM-4) MOLD	4860R-0023A
004			nsp	HOLDER	CLAMP(DPM3)	4930R-0345A
005			nsp	RUBBER	H/CLAMP	5040R-0087A
008A			*YU001310R	FPC	FPC 23P P=1.0 UL2896	6850R-JW30E
008B			*YU001320R	FPC	FPC 8P P=1.0 UL2896	6850R-GH18Z
011			31AW401010	FRAME	UP/DOWN (DPM-4) MOLD	3210R-M003A
020			31AW058010	GEAR	WHEEL TRAY	4470R-0118A
021			346W058020	GEAR	TRAY	4470R-0074A
021			*MM001280R	MOTOR	SPINDLE JCL9B68 SANKYO	4680R-C011A
022			WA31AW1000	PCB ASSY	DPM3 TRAY-SH	6871R-9232B
022A			*YU001330R	FPC	FPC 6P P=1.0 UL2896	6850R-JF20A
023			346W358010	ROLLER	BASE TRAY	4580R-0006A
024			31AW359510	MOTOR ASSY	TRAY - SH	4681R-0030B
025			nsp	BASE	TRAY(DPM3)	3040R-0082A
026			31AW163010	TRAY	DECK/MECHA DISC (DPM-4) MOLD	3390R-0021A
030			nsp	BASE	MAIN(DPM3)	3040R-0081A
031			346W058030	GEAR	SLIDER	4470R-0069A
032			346W058040	GEAR	MAIN	4470R-0067A

NOTE : *nsp* PART IS LISTED FOR REFERENCE ONLY, MARANTZ WILL NOT SUPPLY THESE PARTS.

5400, 970 : VC5400, PMD970

POS. NO	VERS. COLOR	PART NO. (FOR EUR)	PART NO. (MJI)	DESCRIPTION		
033			346W058050	GEAR	EXCHANGE	4470R-0070A
034			31AW058020	GEAR	UP/DOWN	4470R-0068B
035			346W058060	GEAR	LOADING	4470R-0071A
036			31AW359520	MOTOR ASSY	MAIN(DPM3) -SH	4681R-0029B
037			346W058070	GEAR	WHEEL MAIN	4470R-0072A
038			WA31AW2000	PCB ASSY	DPM3 MAIN-MODE -SH	6871R-9233B
038A			*YU001340R	FPC	FPC 7P P=1.0 UL2896	6850R-GG24Z
039			31AW056010	RUBBER	MAIN	5040R-0052A
040			nsp	HOLDER	MD BRACKET	4930R-0370A
413			nsp	SCREW	AUDIO TAPTITE 3*8(353-025B)	4000R-0006A
414			nsp	SCREW	SPECIAL (3X12)	353-051E
415			nsp	SCREW	D3.0 L3.0 MSWR3/FZY	1MPC0301118
416			nsp	MECHANISM	AUDIO 3*12*12(88H-0004)	4404R-0017A
430			nsp	SCREW	D2.0 6MM SWRCH16A/NIY 4.5MM	1SZZH-1003A
431			nsp	SCREW	D2.0 6MM SWRCH16A/ZNBK 4MM	1SZZH-1007B
432			nsp	SCREW	MACHINE	1SZZR-0011A
PACKING						
801	PMD970		31AW851280	USER GUIDE	USER GUIDE PMD970 HA1UMMP	3835RS0062M
801	VC5400		31AW851250	USER GUIDE	USER GUIDE VC5400 HA1UMMV	3835RS0062R
801	VC4400		30AW851250	USER GUIDE	USER GUIDE VC4400_HA1UMM	3835RS0062W
900			ZK31AW0010	UNIT KIT	REMOTE CONTROL RC5400VC	6711R1N135A
NOT STANDARD SPARE PARTS						
250			31AW257010	LID	TOP CASE	3111R-D001E
802	VC5400		31AW801010	PACKING CASE	CARTON BOX VC5400	3890R-H542Y
802	PMD970		31AW801020	PACKING CASE	CARTON BOX PMD970	3890R-H542Z
802	VC4400		30AW801010	PACKING CASE	CARTON BOX VC4400	3890R-H543K
803			31AW809010	CUSHION	CUSHION SNOW	3920R-E063A
804			nsp	BAG	LVP-1	292-053D
808			nsp	BATTERY	ER03X HI WATT 1.5V .MA/H AAA	841-0021
810			nsp	CABLE ASSY	DVD CABLE ASSY RCA USING AREA	6851RP0003N
811			nsp	PLUG ASSY	1WAY YELLOW GLOBAL	6611R1G001A
812			nsp	PLUG ASSY	2WAY RED/WHITE GLOBAL	6611R2G001A
CABLE1	5400, 970		nsp	CABLE	CINCH TO CINCH 1000M/M D-SUB	6850R-PAA02

NOTE : *nsp* PART IS LISTED FOR REFERENCE ONLY, MARANTZ WILL NOT SUPPLY THESE PARTS.

10 . ELECTRICAL PARTS LIST

ASSIGNMENT OF COMMON PARTS CODES.

RESISTORS

R***: 1) GD05xxx140, Carbon film fixed resistor, ±5% 1/4W
 R***: 2) GD05xxx160, Carbon film fixed resistor, ±5% 1/6W

① — Resistance value

Examples ;

① Resistance value
 0.1 Ω 001 10 Ω 100 1 kΩ 102 100 kΩ 104
 0.5 Ω 005 18 Ω 180 2.7 kΩ 272 680 kΩ 684
 1 Ω 010 100 Ω 101 10 kΩ 103 1 MΩ 105
 6.8 Ω 068 390 Ω 391 22 kΩ 223 4.7 MΩ 475

Note : Please distinguish 1/4W from 1/6W by the shape of parts used actually.

CAPACITORS

C***: CERAMIC CAP.

3) DD1xxx370, Ceramic capacitor
 Disc type
 Temp.coeff.P350 ~N1000, 50V
 ② Capacity value
 ③ Tolerance

Examples ;

② Tolerance (Capacity deviation)
 ±0.25 pF 0
 ±0.5 pF 1
 ±5% 5

* Tolerance of COMMON PARTS handled here are as follows :

0.5 pF ~ 5 pF ±0.25 pF
 6 pF ~ 10 pF ±0.5 pF
 12 pF ~ 560 pF ±5%

③ Capacity value

0.5 pF 005 3 pF 030 100 pF 101
 1 pF 010 10 pF 100 220 pF 221
 1.5 pF 015 47 pF 470 560 pF 561

C***: CERAMIC CAP.

4) DK16xxx300, High dielectric constant ceramic capacitor
 Disc type
 Temp.chara. 2B4, 50V
 ④ Capacity value

Examples ;

④ Capacity value
 100 pF 101 1000 pF 102 10000 pF 103
 470 pF 471 2200 pF 222

C***: 5) ELECTROLY CAP. (⏏), 6) FILM CAP. (⏏)

5) EAxxx10, Electrolytic capacitor
 One-way lead type, Tolerance ±20%
 ⑤ Capacity value
 ⑥ Working voltage

Examples ;

⑤ Capacity value
 0.1 μF 104 4.7 μF 475 100 μF 107
 0.33 μF 334 10 μF 106 330 μF 337
 1 μF 105 22 μF 226 1100 μF 118
 2200 μF 228

⑥ Working voltage

6.3V 006 25V 025
 10V 010 35V 035
 16V 016 50V 050

6) DF15xxx350 Plastic film capacitor
 DF15xxx310 One-way type, Mylar ±5% 50V
 DF16xxx310 Plastic film capacitor
 One-way type, Mylar ±10% 50V
 ⑦ Capacity value

Examples ;

⑦ Capacity value
 0.001 μF (1000 pF) 102 0.1 μF 104
 0.0018 μF 182 0.56 μF 564
 0.01 μF 103 1 μF 105
 0.015 μF 153

NOTE : 1) The above CODES (R***, R***, C***, C*** and C***) are omitted on the schematic diagram in some case.

2) On the occasion, be confirmed the common parts on the parts list.

3) Refer to "Common Parts List" for the other common parts (R105, DD4, DK4).

NOTE ON SAFETY FOR FUSIBLE RESISTOR :

The suppliers and their type numbers of fusible resistors are as follows;

1. KOA Corporation

Part No. (MJI)	Type No. (KOA)	Description
NH05xxx140	RF25SxxxΩJ	(±5% 1/4W)
NH05xxx120	RF50SxxxΩJ	(±5% 1/2W)
NH85xxx110	RF73B2AxxxΩJ	(±5% 1/10W)
NH95xxx140	RF73B2ExxxΩJ	(±5% 1/4W)

* Resistance value Resistance value (0.1 Ω – 10 kΩ)

2. Matsushita Electronic Components Co., Ltd

Part No. (MJI)	Type No. (MEC)	Description
NF05xxx140	ERD-2FCJxxx	(±5% 1/4W)
RF05xxx140		
NF02xxx140	ERD-2FCGxxx	(±2% 1/4W)
RF02xxx140		

* Resistance value * Resistance value

Examples ;

* Resistance value
 0.1 Ω 001 10 Ω 100 1 kΩ 102 100 kΩ 104
 0.5 Ω 005 18 Ω 180 2.7 kΩ 272 680 kΩ 684
 1 Ω 010 100 Ω 101 10 kΩ 103 1 MΩ 105
 6.8 Ω 068 390 Ω 391 22 kΩ 223 4.7 MΩ 475

ABBREVIATION AND MARKS

ANT. : ANTENNA	BATT. : BATTERY
CAP. : CAPACITOR	CER. : CERAMIC
CONN. : CONNECTING	DIG. : DIGITAL
HP : HEADPHONE	MIC. : MICROPHONE
μ-PRO : MICROPROCESSOR	REC. : RECORDING
RES. : RESISTOR	SPK : SPEAKER
SW : SWITCH	TRANSF. : TRANSFORMER
TRIM. : TRIMMING	TRS. : TRANSISTOR
VAR. : VARIABLE	X'TAL : CRYSTAL

NOTE ON FUSE :

Regarding to all parts of parts code **FS20xxx2xx**, replace only with Wickmann-Werke GmbH, Type 372 non glass type fuse.

NOTE ON SAFETY :

Symbol ⚠ Fire or electrical shock hazard. Only original parts should be used to replaced any part marked with symbol ⚠ . Any other component substitution (other than original type), may increase risk of fire or electrical shock hazard.

安全上の注意 :

⚠ がついている部品は、安全上重要な部品です。必ず指定されている部品番号の部品を使用して下さい。

5400, 970 : VC5400, PMD970

POS. NO	VERS. COLOR	PART NO. (FOR EUR)	PART NO. (MJJ)	DESCRIPTION		
FRONT/TIMER PCB						
C905			EJ10601610	ELECT. CAP.	10µF SRE/SE 16V M FM5 TP(5)	OCE1063F638
C906			EJ10405010	ELECT. CAP.	0.1µF D 50V +80%-20% F(Y5V)	OCN1040K948
C907			EA47600610	ELECT. CAP.	47µF SRE SE 6.3V 20% FM5	OCE4763C638
C908			EA47600610	ELECT. CAP.	47µF SRE SE 6.3V 20% FM5	OCE4763C638
C910	5400, 970		EA47600610	ELECT. CAP.	47µF SRE SE 6.3V 20% FM5	OCE4763C638
C911	5400, 970		EJ10405010	ELECT. CAP.	0.1µF D 50V +80%-20% F(Y5V)	OCN1040K948
C912			EJ10405010	ELECT. CAP.	0.1µF D 50V +80%-20% F(Y5V)	OCN1040K948
C913			EJ10405010	ELECT. CAP.	0.1µF D 50V +80%-20% F(Y5V)	OCN1040K948
C914			EA47600610	ELECT. CAP.	47µF SRE SE 6.3V 20% FM5	OCE4763C638
C916			EJ10405010	ELECT. CAP.	0.1µF D 50V +80%-20% F(Y5V)	OCN1040K948
D904	5400, 970		*HD201770R	DIODE	1N4148 26MM DO34 75V	0DS141489BB
DIG901			*HQ300630R	DISPLAY	7BT-296GNK FUTABA SEG VFD	6302R-V218A
IC902			*HC105670R	IC	KIA7042P 3P 4.2V RESET	0IKE704200B
J901	VC4400		nsp	JUMPER	D=0.6 ROLL	874-000T
J902	VC4400		nsp	JUMPER	D=0.6 ROLL	874-000T
L901			LC11043900	CHOKO COIL	100UH K 6X6 L5 TP	0LR1000K035
L902			LC11043900	CHOKO COIL	100UH K 6X6 L5 TP	0LR1000K035
P9101			nsp	CORD	GIL-S-08P-S2T2-EF LG CABLE 8P	561-711H
P9501			nsp	CORD	GIL-S13/9073-13 ST UL1061 AWG	6631R-E024V
P9602	5400, 970		nsp	CORD	GIL-S5/9073-05ST 5PIN 120M/M	6631R-E051U
P9901			nsp	CORD	GIL-S-07P-S2T2-EF LG CABLE 7P	561-711G
Q902	5400, 970		*HT100630R	TRS.	KRA103M(KRA2203) KEC TP TO92M	0TR103009AF
Q903	5400, 970		*HT100490R	TRS.	KTA1267-GR MINI TP KEC	0TR126709AC
Q911	5400, 970		*HT300730R	TRS.	KTC3199-BL MINI TP KEC	0TR319909AF
R903			nsp	JUMPER	D=0.6 ROLL	874-000T
R904			GD05122160	RES.	1.2kΩ 1/6W 5% TA26	0RD1201F608
R905			GD05122160	RES.	1.2kΩ 1/6W 5% TA26	0RD1201F608
R906			GD05122160	RES.	1.2kΩ 1/6W 5% TA26	0RD1201F608
R908			GD05332160	RES.	3.3kΩ 1/6W 5% TA26	0RD3301F608
R909			GD05331160	RES.	330Ω 1/6W 5% TA26	0RD3300F608
R912	5400, 970		GD05473160	RES.	47kΩ 1/6W 5% TA26	0RD4702F608
R913	5400, 970		GD05103160	RES.	10kΩ 1/6W 5% TA26	0RD1002F608
R914	5400, 970		GD05222160	RES.	2.2kΩ 1/6W 5% TA26	0RD2201F608
R915	5400, 970		GD05101160	RES.	100Ω 1/6W 5% TA26	0RD1000F608
R916	5400, 970		GD05101160	RES.	100Ω 1/6W 5% TA26	0RD1000F608
R917	5400, 970		GD05103160	RES.	10kΩ 1/6W 5% TA26	0RD1002F608
R918			GD05472160	RES.	4.7kΩ 1/6W 5% TA26	0RD4701F608
R919			GD05472160	RES.	4.7kΩ 1/6W 5% TA26	0RD4701F608
R920			GD05472160	RES.	4.7kΩ 1/6W 5% TA26	0RD4701F608
R921			GD05472160	RES.	4.7kΩ 1/6W 5% TA26	0RD4701F608
R923			GD05104160	RES.	100kΩ 1/6W 5% TA26	0RD1003F608
R924			GD05104160	RES.	100kΩ 1/6W 5% TA26	0RD1003F608
R925			GD05104160	RES.	100kΩ 1/6W 5% TA26	0RD1003F608
R926			GD05104160	RES.	100kΩ 1/6W 5% TA26	0RD1003F608
R927			GD05104160	RES.	100kΩ 1/6W 5% TA26	0RD1003F608
R928			GD05104160	RES.	100kΩ 1/6W 5% TA26	0RD1003F608
R929			GD05104160	RES.	100kΩ 1/6W 5% TA26	0RD1003F608
R930			GD05104160	RES.	100kΩ 1/6W 5% TA26	0RD1003F608
R931			GD05104160	RES.	100kΩ 1/6W 5% TA26	0RD1003F608
R932			GD05104160	RES.	100kΩ 1/6W 5% TA26	0RD1003F608
R933			GD05104160	RES.	100kΩ 1/6W 5% TA26	0RD1003F608
R934			GD05104160	RES.	100kΩ 1/6W 5% TA26	0RD1003F608
R935			GD05104160	RES.	100kΩ 1/6W 5% TA26	0RD1003F608
R936			GD05104160	RES.	100kΩ 1/6W 5% TA26	0RD1003F608
R937			GD05104160	RES.	100kΩ 1/6W 5% TA26	0RD1003F608
R938			GD05104160	RES.	100kΩ 1/6W 5% TA26	0RD1003F608
R939			GD05104160	RES.	100kΩ 1/6W 5% TA26	0RD1003F608
R940			GD05104160	RES.	100kΩ 1/6W 5% TA26	0RD1003F608

NOTE : *nsp* PART IS LISTED FOR REFERENCE ONLY, MARANTZ WILL NOT SUPPLY THESE PARTS.

5400, 970 : VC5400, PMD970

POS. NO	VERS. COLOR	PART NO. (FOR EUR)	PART NO. (MJI)	DESCRIPTION		
C252			DK98104300	CER. CAP.	0.1µF 50V Z Y5V(F) 1608	0CH1104K942
C253			DK98104300	CER. CAP.	0.1µF 50V Z Y5V(F) 1608	0CH1104K942
C254			DK98104300	CER. CAP.	0.1µF 50V Z Y5V(F) 1608	0CH1104K942
C255			DK98104300	CER. CAP.	0.1µF 50V Z Y5V(F) 1608	0CH1104K942
C257			DK98105200	CER. CAP.	1µF 10V Z Y5V(F) 1608	0CH1105D942
C258			DK98105200	CER. CAP.	1µF 10V Z Y5V(F) 1608	0CH1105D942
C259			DK98105200	CER. CAP.	1µF 10V Z Y5V(F) 1608	0CH1105D942
C260			DK98105200	CER. CAP.	1µF 10V Z Y5V(F) 1608	0CH1105D942
C261			DK98105200	CER. CAP.	1µF 10V Z Y5V(F) 1608	0CH1105D942
C262			DK98104300	CER. CAP.	0.1µF 50V Z Y5V(F) 1608	0CH1104K942
C263			DK98104300	CER. CAP.	0.1µF 50V Z Y5V(F) 1608	0CH1104K942
C264			DK96153300	CER. CAP.	0.015µF 50V 10% X7R(X) 1608	0CH1153K562
C265			DK98104300	CER. CAP.	0.1µF 50V Z Y5V(F) 1608	0CH1104K942
C266			DK98104300	CER. CAP.	0.1µF 50V Z Y5V(F) 1608	0CH1104K942
C267			DK98104300	CER. CAP.	0.1µF 50V Z Y5V(F) 1608	0CH1104K942
C268			DK98104300	CER. CAP.	0.1µF 50V Z Y5V(F) 1608	0CH1104K942
C269			DK98104300	CER. CAP.	0.1µF 50V Z Y5V(F) 1608	0CH1104K942
C270			DK98104300	CER. CAP.	0.1µF 50V Z Y5V(F) 1608	0CH1104K942
C271			DD95391370	CER. CAP.	390pF 50V J NP0 1608	0CH4391K412
C272			DD95391370	CER. CAP.	390pF 50V J NP0 1608	0CH4391K412
C273			DK98333200	CER. CAP.	0.033µF 50V K X7R(X) 1608	0CH1333K562
C274			DD95471300	CER. CAP.	470pF 50V J NP0 1608	0CH4471K412
C276			DD91100300	CER. CAP.	10pF 50V D COG 1608	0CH4100K112
C277			DK96153300	CER. CAP.	0.015µF 50V 10% X7R(X) 1608	0CH1153K562
C278			DD95270300	CER. CAP.	27pF 50V J NP0 1608	0CH4270K412
C279			DK98104300	CER. CAP.	0.1µF 50V Z Y5V(F) 1608	0CH1104K942
C280			DK98104300	CER. CAP.	0.1µF 50V Z Y5V(F) 1608	0CH1104K942
C281			DK98104300	CER. CAP.	0.1µF 50V Z Y5V(F) 1608	0CH1104K942
C282			DK98104300	CER. CAP.	0.1µF 50V Z Y5V(F) 1608	0CH1104K942
C283			DK98104300	CER. CAP.	0.1µF 50V Z Y5V(F) 1608	0CH1104K942
C291			OA10701620	ELECT. CAP.	100µF SRA 16V M FM5	0CE1074F638
C292			OA47602520	ELECT. CAP.	47µF SRA/SS 16V M FM5	0CE4764F638
C293			OA47602520	ELECT. CAP.	47µF SRA/SS 16V M FM5	0CE4764F638
C295			OA10601620	ELECT. CAP.	10µF SRA 16V M FM5	0CE1064F638
C296			DK96103300	CER. CAP.	0.01µF 50V 10% X7R(X) 1608	0CH1103K562
C297			DD95101300	CER. CAP.	100pF 50V J COG 1608	0CH4101K412
C401			DK98104300	CER. CAP.	0.1µF 50V Z Y5V(F) 1608	0CH1104K942
C402			OA47602520	ELECT. CAP.	47µF SRA/SS 16V M FM5	0CE4764F638
C405			DK98104300	CER. CAP.	0.1µF 50V Z Y5V(F) 1608	0CH1104K942
C406			DK98105200	CER. CAP.	1µF 10V Z Y5V(F) 1608	0CH1105D942
C407			DK98105200	CER. CAP.	1µF 10V Z Y5V(F) 1608	0CH1105D942
C408			DK98104300	CER. CAP.	0.1µF 50V Z Y5V(F) 1608	0CH1104K942
C409			OA22601620	ELECT. CAP.	22µF SRA 16V M FM5	0CE2264F638
C410			OA22601620	ELECT. CAP.	22µF SRA 16V M FM5	0CE2264F638
C411			DK96102300	CER. CAP.	1000pF 50V 10% X7R(X) 1608	0CH1102K562
C412			OA10701620	ELECT. CAP.	100µF SRA 16V M FM5	0CE1074F638
C413			DK98104300	CER. CAP.	0.1µF 50V Z Y5V(F) 1608	0CH1104K942
C414			OA47701020	ELECT. CAP.	470µF SRA SS 10V 20% FM5	0CE4774D638
C415			OA22601620	ELECT. CAP.	22µF SRA 16V M FM5	0CE2264F638
C416			DK96102300	CER. CAP.	1000pF 50V 10% X7R(X) 1608	0CH1102K562
C417			OA22601620	ELECT. CAP.	22µF SRA 16V M FM5	0CE2264F638
C418			DD95271300	CER. CAP.	270pF 50V 5% NP0 1608	0CH4271K412
C419			OA22601620	ELECT. CAP.	22µF SRA 16V M FM5	0CE2264F638
C420			DD95271300	CER. CAP.	270pF 50V 5% NP0 1608	0CH4271K412
C421			DD95271300	CER. CAP.	270pF 50V 5% NP0 1608	0CH4271K412
C422			DD95271300	CER. CAP.	270pF 50V 5% NP0 1608	0CH4271K412
C423			DK96392300	CER. CAP.	3900pF 50V K Z5U(E) 1608	0CH1392K562
C424			OA22601620	ELECT. CAP.	22µF SRA 16V M FM5	0CE2264F638
C425			DK96392300	CER. CAP.	3900pF 50V K Z5U(E) 1608	0CH1392K562

NOTE : *nsp* PART IS LISTED FOR REFERENCE ONLY, MARANTZ WILL NOT SUPPLY THESE PARTS.

5400, 970 : VC5400, PMD970

POS. NO	VERS. COLOR	PART NO. (FOR EUR)	PART NO. (MJI)	DESCRIPTION		
C426			OA22601620	ELECT. CAP.	22µF SRA 16V M FM5	0CE2264F638
C430	5400, 970		EA47700610	ELECT. CAP.	470µF SR SV 6.3V 20% FM5	0CE4775C638
C431	5400, 970		OA10601620	ELECT. CAP.	10µF SRA 16V M FM5	0CE1064F638
C432	5400, 970		DK98104300	CER. CAP.	0.1µF 50V Z Y5V(F) 1608	0CH1104K942
C433	5400, 970		OA10601620	ELECT. CAP.	10µF SRA 16V M FM5	0CE1064F638
C434	5400, 970		DK98104300	CER. CAP.	0.1µF 50V Z Y5V(F) 1608	0CH1104K942
C435	5400, 970		OA10601620	ELECT. CAP.	10µF SRA 16V M FM5	0CE1064F638
C436	5400, 970		OA10601620	ELECT. CAP.	10µF SRA 16V M FM5	0CE1064F638
C437	5400, 970		DK96102300	CER. CAP.	1000pF 50V 10% X7R(X) 1608	0CH1102K562
C438	5400, 970		DD95101300	CER. CAP.	100pF 50V J COG 1608	0CH4101K412
C439	5400, 970		OA10601620	ELECT. CAP.	10µF SRA 16V M FM5	0CE1064F638
C440	5400, 970		DK96102300	CER. CAP.	1000pF 50V 10% X7R(X) 1608	0CH1102K562
C441	5400, 970		DD95101300	CER. CAP.	100pF 50V J COG 1608	0CH4101K412
C442	5400, 970		DK96392300	CER. CAP.	3900pF 50V K Z5U(E) 1608	0CH1392K562
C443	5400, 970		OA10601620	ELECT. CAP.	10µF SRA 16V M FM5	0CE1064F638
C444	5400, 970		DK96392300	CER. CAP.	3900pF 50V K Z5U(E) 1608	0CH1392K562
C445	5400, 970		OA10601620	ELECT. CAP.	10µF SRA 16V M FM5	0CE1064F638
C446	5400, 970		OA10601620	ELECT. CAP.	10µF SRA 16V M FM5	0CE1064F638
C447	5400, 970		OA10601620	ELECT. CAP.	10µF SRA 16V M FM5	0CE1064F638
C448	5400, 970		OA10601620	ELECT. CAP.	10µF SRA 16V M FM5	0CE1064F638
C449	5400, 970		DK96102300	CER. CAP.	1000pF 50V 10% X7R(X) 1608	0CH1102K562
C450	5400, 970		OA10601620	ELECT. CAP.	10µF SRA 16V M FM5	0CE1064F638
C451	5400, 970		DK96102300	CER. CAP.	1000pF 50V 10% X7R(X) 1608	0CH1102K562
C452	5400, 970		DD95101300	CER. CAP.	100pF 50V J COG 1608	0CH4101K412
C453	5400, 970		DD95101300	CER. CAP.	100pF 50V J COG 1608	0CH4101K412
C454	5400, 970		DK96392300	CER. CAP.	3900pF 50V K Z5U(E) 1608	0CH1392K562
C455	5400, 970		OA10601620	ELECT. CAP.	10µF SRA 16V M FM5	0CE1064F638
C456	5400, 970		OA10601620	ELECT. CAP.	10µF SRA 16V M FM5	0CE1064F638
C457	5400, 970		DK96392300	CER. CAP.	3900pF 50V K Z5U(E) 1608	0CH1392K562
C458	5400, 970		OA10601620	ELECT. CAP.	10µF SRA 16V M FM5	0CE1064F638
C459	5400, 970		OA10601620	ELECT. CAP.	10µF SRA 16V M FM5	0CE1064F638
C460	5400, 970		OA10601620	ELECT. CAP.	10µF SRA 16V M FM5	0CE1064F638
C461	5400, 970		DK96102300	CER. CAP.	1000pF 50V 10% X7R(X) 1608	0CH1102K562
C462	5400, 970		DD95101300	CER. CAP.	100pF 50V J COG 1608	0CH4101K412
C463	5400, 970		OA10601620	ELECT. CAP.	10µF SRA 16V M FM5	0CE1064F638
C464	5400, 970		DK96102300	CER. CAP.	1000pF 50V 10% X7R(X) 1608	0CH1102K562
C465	5400, 970		DD95101300	CER. CAP.	100pF 50V J COG 1608	0CH4101K412
C466	5400, 970		DK96392300	CER. CAP.	3900pF 50V K Z5U(E) 1608	0CH1392K562
C467	5400, 970		OA10601620	ELECT. CAP.	10µF SRA 16V M FM5	0CE1064F638
C468	5400, 970		OA10601620	ELECT. CAP.	10µF SRA 16V M FM5	0CE1064F638
C469	5400, 970		DK96392300	CER. CAP.	3900pF 50V K Z5U(E) 1608	0CH1392K562
C470	5400, 970		OA10601620	ELECT. CAP.	10µF SRA 16V M FM5	0CE1064F638
C471	5400, 970		DK96103300	CER. CAP.	0.01µF 50V 10% X7R(X) 1608	0CH1103K562
C502			DK96103300	CER. CAP.	0.01µF 50V 10% X7R(X) 1608	0CH1103K562
C503			DK96103300	CER. CAP.	0.01µF 50V 10% X7R(X) 1608	0CH1103K562
C504			DK96103300	CER. CAP.	0.01µF 50V 10% X7R(X) 1608	0CH1103K562
C505			DK96103300	CER. CAP.	0.01µF 50V 10% X7R(X) 1608	0CH1103K562
C506			DD95101300	CER. CAP.	100pF 50V J COG 1608	0CH4101K412
C507			DK96103300	CER. CAP.	0.01µF 50V 10% X7R(X) 1608	0CH1103K562
C508			*DK400030R	CER. CAP.	2.2µF 16V +80%-20% Y5V(F) 3216	0CH1225F944
C509			DK98104300	CER. CAP.	0.1µF 50V Z Y5V(F) 1608	0CH1104K942
C510			DD95101300	CER. CAP.	100pF 50V J COG 1608	0CH4101K412
C511			OA47602520	ELECT. CAP.	47µF SRA/SS 16V M FM5	0CE4764F638
C513			DK98104300	CER. CAP.	0.1µF 50V Z Y5V(F) 1608	0CH1104K942
C514			DK98104300	CER. CAP.	0.1µF 50V Z Y5V(F) 1608	0CH1104K942
C515			DK98104300	CER. CAP.	0.1µF 50V Z Y5V(F) 1608	0CH1104K942
C516			*DK400030R	CER. CAP.	2.2µF 16V +80%-20% Y5V(F) 3216	0CH1225F944
C517			DK98104300	CER. CAP.	0.1µF 50V Z Y5V(F) 1608	0CH1104K942
C518			DK98104300	CER. CAP.	0.1µF 50V Z Y5V(F) 1608	0CH1104K942

NOTE : *nsp* PART IS LISTED FOR REFERENCE ONLY, MARANTZ WILL NOT SUPPLY THESE PARTS.

5400, 970 : VC5400, PMD970

POS. NO	VERS. COLOR	PART NO. (FOR EUR)	PART NO. (MJI)	DESCRIPTION		
C519			DK98104300	CER. CAP.	0.1µF 50V Z Y5V(F) 1608	0CH1104K942
C520			DK98104300	CER. CAP.	0.1µF 50V Z Y5V(F) 1608	0CH1104K942
C521			DK98104300	CER. CAP.	0.1µF 50V Z Y5V(F) 1608	0CH1104K942
C522			DK98104300	CER. CAP.	0.1µF 50V Z Y5V(F) 1608	0CH1104K942
C523			DK98104300	CER. CAP.	0.1µF 50V Z Y5V(F) 1608	0CH1104K942
C524			DK98104300	CER. CAP.	0.1µF 50V Z Y5V(F) 1608	0CH1104K942
C525			DK98104300	CER. CAP.	0.1µF 50V Z Y5V(F) 1608	0CH1104K942
C526			DK98104300	CER. CAP.	0.1µF 50V Z Y5V(F) 1608	0CH1104K942
C527			DK98104300	CER. CAP.	0.1µF 50V Z Y5V(F) 1608	0CH1104K942
C528			OA47602520	ELECT. CAP.	47µF SRA/SS 16V M FM5	OCE4764F638
C529			DK96103300	CER. CAP.	0.01µF 50V 10% X7R(X) 1608	0CH1103K562
C530			DK98104300	CER. CAP.	0.1µF 50V Z Y5V(F) 1608	0CH1104K942
C531			DK98104300	CER. CAP.	0.1µF 50V Z Y5V(F) 1608	0CH1104K942
C532			DK98104300	CER. CAP.	0.1µF 50V Z Y5V(F) 1608	0CH1104K942
C533			DD95180300	CER. CAP.	18pF 50V J COG 1608	0CH4180K412
C534			DD95330300	CER. CAP.	33pF 50V J COG 1608	0CH4330K412
C535			DK98104300	CER. CAP.	0.1µF 50V Z Y5V(F) 1608	0CH1104K942
C536			DK96102300	CER. CAP.	1000pF 50V 10% X7R(X) 1608	0CH1102K562
C537			DK96102300	CER. CAP.	1000pF 50V 10% X7R(X) 1608	0CH1102K562
C538			DK96102300	CER. CAP.	1000pF 50V 10% X7R(X) 1608	0CH1102K562
C539			DK98104300	CER. CAP.	0.1µF 50V Z Y5V(F) 1608	0CH1104K942
C540			DK98104300	CER. CAP.	0.1µF 50V Z Y5V(F) 1608	0CH1104K942
C541			OA10601620	ELECT. CAP.	10µF SRA 16V M FM5	OCE1064F638
C542			DK98104300	CER. CAP.	0.1µF 50V Z Y5V(F) 1608	0CH1104K942
C543			OA10601620	ELECT. CAP.	10µF SRA 16V M FM5	OCE1064F638
C544			DK98104300	CER. CAP.	0.1µF 50V Z Y5V(F) 1608	0CH1104K942
C545			OA10601620	ELECT. CAP.	10µF SRA 16V M FM5	OCE1064F638
C554			DK98104300	CER. CAP.	0.1µF 50V Z Y5V(F) 1608	0CH1104K942
C556			DK98104300	CER. CAP.	0.1µF 50V Z Y5V(F) 1608	0CH1104K942
C557			DK98104300	CER. CAP.	0.1µF 50V Z Y5V(F) 1608	0CH1104K942
C558			DK98104300	CER. CAP.	0.1µF 50V Z Y5V(F) 1608	0CH1104K942
C559			DK98104300	CER. CAP.	0.1µF 50V Z Y5V(F) 1608	0CH1104K942
C560			DK98104300	CER. CAP.	0.1µF 50V Z Y5V(F) 1608	0CH1104K942
C561			DK98104300	CER. CAP.	0.1µF 50V Z Y5V(F) 1608	0CH1104K942
C563			OA22701020	ELECT. CAP.	220µF SRA 6.3V M FM5	OCE2274C638
C564			OA22701020	ELECT. CAP.	220µF SRA 6.3V M FM5	OCE2274C638
C565			DD95221300	CER. CAP.	220pF 50V J COG 1608	0CH4221K412
C566			DD95221300	CER. CAP.	220pF 50V J COG 1608	0CH4221K412
C567			DD95221300	CER. CAP.	220pF 50V J COG 1608	0CH4221K412
C568			DD95221300	CER. CAP.	220pF 50V J COG 1608	0CH4221K412
C569			DD95221300	CER. CAP.	220pF 50V J COG 1608	0CH4221K412
C575			DK98104300	CER. CAP.	0.1µF 50V Z Y5V(F) 1608	0CH1104K942
C576			DK98104300	CER. CAP.	0.1µF 50V Z Y5V(F) 1608	0CH1104K942
C577			DK98104300	CER. CAP.	0.1µF 50V Z Y5V(F) 1608	0CH1104K942
C578			DK98104300	CER. CAP.	0.1µF 50V Z Y5V(F) 1608	0CH1104K942
C579			DK98104300	CER. CAP.	0.1µF 50V Z Y5V(F) 1608	0CH1104K942
C580			DK98104300	CER. CAP.	0.1µF 50V Z Y5V(F) 1608	0CH1104K942
C581			DK98104300	CER. CAP.	0.1µF 50V Z Y5V(F) 1608	0CH1104K942
C582			DK98104300	CER. CAP.	0.1µF 50V Z Y5V(F) 1608	0CH1104K942
C583			OA22701020	ELECT. CAP.	220µF SRA 6.3V M FM5	OCE2274C638
C584			DD95221300	CER. CAP.	220pF 50V J COG 1608	0CH4221K412
C586	5400, 970		DD95221300	CER. CAP.	220pF 50V J COG 1608	0CH4221K412
C587			DD95221300	CER. CAP.	220pF 50V J COG 1608	0CH4221K412
C589			DK98104300	CER. CAP.	0.1µF 50V Z Y5V(F) 1608	0CH1104K942
C592			DK98104300	CER. CAP.	0.1µF 50V Z Y5V(F) 1608	0CH1104K942
C596			DK98104300	CER. CAP.	0.1µF 50V Z Y5V(F) 1608	0CH1104K942
C598			OA22701020	ELECT. CAP.	220µF SRA 6.3V M FM5	OCE2274C638
C5A1			OA10601620	ELECT. CAP.	10µF SRA 16V M FM5	OCE1064F638
C5A2			DK98104300	CER. CAP.	0.1µF 50V Z Y5V(F) 1608	0CH1104K942

NOTE : *nsp* PART IS LISTED FOR REFERENCE ONLY, MARANTZ WILL NOT SUPPLY THESE PARTS.

5400, 970 : VC5400, PMD970

POS. NO	VERS. COLOR	PART NO. (FOR EUR)	PART NO. (MJI)	DESCRIPTION		
C628			OA10505020	ELECT. CAP.	1.0µF SRA/SS50V M FM5	OCE1054K638
C629			OA10505020	ELECT. CAP.	1.0µF SRA/SS50V M FM5	OCE1054K638
C630			OA10505020	ELECT. CAP.	1.0µF SRA/SS50V M FM5	OCE1054K638
C631			OA10505020	ELECT. CAP.	1.0µF SRA/SS50V M FM5	OCE1054K638
C632			OA10505020	ELECT. CAP.	1.0µF SRA/SS50V M FM5	OCE1054K638
C633			DK98104300	CER. CAP.	0.1µF 50V Z Y5V(F) 1608	OCH1104K942
C634			OA22601620	ELECT. CAP.	22µF SRA 16V M FM5	OCE2264F638
C635			DK98104300	CER. CAP.	0.1µF 50V Z Y5V(F) 1608	OCH1104K942
C636			OA47602520	ELECT. CAP.	47µF SRA/SS 16V M FM5	OCE4764F638
C643			OA10505020	ELECT. CAP.	1.0µF SRA/SS50V M FM5	OCE1054K638
C647			OA10800620	ELECT. CAP.	1000µF SMS SG 6.3V M FM	OCE1086C638
C651			OA10800620	ELECT. CAP.	1000µF SMS SG 6.3V M FM	OCE1086C638
C655			OA10800620	ELECT. CAP.	1000µF SMS SG 6.3V M FM	OCE1086C638
C659			EA47700610	ELECT. CAP.	470µF SR SV 6.3V 20% FM5	OCE4775C638
C663			EA47700610	ELECT. CAP.	470µF SR SV 6.3V 20% FM5	OCE4775C638
C673			DK98104300	CER. CAP.	0.1µF 50V Z Y5V(F) 1608	OCH1104K942
C674			DK98104300	CER. CAP.	0.1µF 50V Z Y5V(F) 1608	OCH1104K942
C675			OA10701620	ELECT. CAP.	100µF SRA 16V M FM5	OCE1074F638
C676			DK98104300	CER. CAP.	0.1µF 50V Z Y5V(F) 1608	OCH1104K942
C677			DK98104300	CER. CAP.	0.1µF 50V Z Y5V(F) 1608	OCH1104K942
C678			DK98104300	CER. CAP.	0.1µF 50V Z Y5V(F) 1608	OCH1104K942
C679			OA22701020	ELECT. CAP.	220µF SRA 6.3V M FM5	OCE2274C638
C680			DK98104300	CER. CAP.	0.1µF 50V Z Y5V(F) 1608	OCH1104K942
C681			DK98104300	CER. CAP.	0.1µF 50V Z Y5V(F) 1608	OCH1104K942
C682			DK98104300	CER. CAP.	0.1µF 50V Z Y5V(F) 1608	OCH1104K942
C683			DK98104300	CER. CAP.	0.1µF 50V Z Y5V(F) 1608	OCH1104K942
C695	5400, 970		DK98104300	CER. CAP.	0.1µF 50V Z Y5V(F) 1608	OCH1104K942
C696			DK98104300	CER. CAP.	0.1µF 50V Z Y5V(F) 1608	OCH1104K942
C6D1	5400, 970		DD95221300	CER. CAP.	220pF 50V J COG 1608	OCH4221K412
C6D2	5400, 970		DK98104300	CER. CAP.	0.1µF 50V Z Y5V(F) 1608	OCH1104K942
C6D3	5400, 970		OA10505020	ELECT. CAP.	1.0µF SRA/SS50V M FM5	OCE1054K638
C6D4	5400, 970		DK98104300	CER. CAP.	0.1µF 50V Z Y5V(F) 1608	OCH1104K942
C6S3	5400, 970		OA10505020	ELECT. CAP.	1.0µF SRA/SS50V M FM5	OCE1054K638
C6S4	5400, 970		OA10505020	ELECT. CAP.	1.0µF SRA/SS50V M FM5	OCE1054K638
C6S5	5400, 970		OA10505020	ELECT. CAP.	1.0µF SRA/SS50V M FM5	OCE1054K638
C6S6	5400, 970		DK98104300	CER. CAP.	0.1µF 50V Z Y5V(F) 1608	OCH1104K942
C6T1	5400, 970		DD95221300	CER. CAP.	220pF 50V J COG 1608	OCH4221K412
C6T2	5400, 970		DD95221300	CER. CAP.	220pF 50V J COG 1608	OCH4221K412
C6T3	5400, 970		DD95221300	CER. CAP.	220pF 50V J COG 1608	OCH4221K412
C6T4	5400, 970		DD95221300	CER. CAP.	220pF 50V J COG 1608	OCH4221K412
C6W1			DK98104300	CER. CAP.	0.1µF 50V Z Y5V(F) 1608	OCH1104K942
C6W2			DK98104300	CER. CAP.	0.1µF 50V Z Y5V(F) 1608	OCH1104K942
C6W3			OA10601620	ELECT. CAP.	10µF SRA 16V M FM5	OCE1064F638
C6W4			DD95101300	CER. CAP.	100pF 50V J COG 1608	OCH4101K412
C6W5			DD95270300	CER. CAP.	27pF 50V J NP0 1608	OCH4270K412
C6W6			DD95101300	CER. CAP.	100pF 50V J COG 1608	OCH4101K412
D600			HZ20001210	DIODE	DAP202K	ODSRM00118A
D601	5400, 970		HZ20002210	DIODE	DAN202K	ODS202009CA
D602	5400, 970		HZ20002210	DIODE	DAN202K	ODS202009CA
D670			*HD201760R	DIODE	RL104F NON 400V 1A	ODR104009BA
F501			nsp	EMI FILTER	LFA20-2A1E473MT	6200JB8010V
F502			nsp	EMI FILTER	LFA20-2A1E473MT	6200JB8010V
F604	5400, 970		nsp	EMI FILTER	CFI06B1H101MF	6200HJC901A
F605			nsp	EMI FILTER	CFI06B1H101MF	6200HJC901A
F606			nsp	EMI FILTER	CFI06B1H101MF	6200HJC901A
F607	5400, 970		nsp	EMI FILTER	CFI06B1H101MF	6200HJC901A
F608	5400, 970		nsp	EMI FILTER	CFI06B1H101MF	6200HJC901A
F609	5400, 970		nsp	EMI FILTER	CFI06B1H101MF	6200HJC901A
F6D1	5400, 970		nsp	EMI FILTER	CFI06B1H101MF	6200HJC901A

NOTE : *nsp* PART IS LISTED FOR REFERENCE ONLY, MARANTZ WILL NOT SUPPLY THESE PARTS.

5400, 970 : VC5400, PMD970

POS. NO	VERS. COLOR	PART NO. (FOR EUR)	PART NO. (MJ)	DESCRIPTION		
F6D2	5400, 970		nsp	EMI FILTER	CFI06B1H101MF	6200HJC901A
IC201			*HC108480R	IC	MT1336E	OILNRNF006A
IC202			*HC108550R	IC	LA6560-A-TE-L	OIPRPSA010A
IC203			*HC108470R	IC	FAN8082DTF	OILNRFA023A
IC401			*HC108540R	IC	CS4391-KZR	OIPRPCI003B
IC402			*HC105660R	IC	NJM4580M 8 DMP8 TP OP AMP	OIJR458000B
IC403	5400, 970		*HC108580R	IC	PCM1603KY	OIPRPBB002A
IC404	5400, 970		*HC105660R	IC	NJM4580M 8 DMP8 TP OP AMP	OIJR458000B
IC405	5400, 970		*HC105660R	IC	NJM4580M 8 DMP8 TP OP AMP	OIJR458000B
IC406	5400, 970		*HC105660R	IC	NJM4580M 8 DMP8 TP OP AMP	OIJR458000B
IC501	VC4400		*HC108490R	IC	MT1379DEC	OILNRNF007B
IC501	5400, 970		*HC108500R	IC	MT1379EEC	OILNRNF008B
IC502	VC4400		*HC108520R	IC	M12L16161A-7T-TI ELITE MEMORY	OIMMREB006A
IC503	VC4400		*HC108520R	IC	M12L16161A-7T-TI ELITE MEMORY	OIMMREB006A
IC505			*HC108600R	IC	S524A40X21-SCT0 SOP8 EEPROM	OISS240210A
IC506	5400, 970		*HC108510R	IC	IS42S16400A-7T	OIMMRII006A
IC510			*HC700430R	IC	MM74HCT244SJ 20P SOIC	OIFA742440F
IC5A1			*HC108530R	IC	MBM29LV160TE-70pFTN	OIMMRFU011A
IC603	5400, 970		*HC108560R	IC	MAX232DR	OIPRPPTI015A
IC604			*HC108570R	IC	MM1623XFBE 28PIN SOP	OIPRPMT008A
JK601			*YJ002700R	OPT. CONNECTOR	PLT131/T5/6 EVERLIGHT PUSH	6612K00003A
JK602	5400, 970		*YT003350R	TERMINAL	CINCH/DIN-20G YUQUIU	6612R-C006T
JK602	VC4400		*YT003360R	TERMINAL	CINCH/DIN-30G YUQUIU	6612JH003JA
JK605	5400, 970		*YT003340R	TERMINAL	DPAM-0330 DOOWON	6612J00028A
JK606	5400, 970		*YT003330R	TERMINAL	JE800-S-09-001 D-SUB	6630GY00409
L201			LC11033900	CHOKE COIL	10UH 5% 4X5 TR5	OLR0102J025
L202			nsp	EMI FILTER	HB-1M2012-102JT	6200HJC102A
L203			LC11033900	CHOKE COIL	10UH 5% 4X5 TR5	OLR0102J025
L204			nsp	EMI FILTER	HB-1M2012-102JT	6200HJC102A
L231			nsp	EMI FILTER	HB-1M2012-102JT	6200HJC102A
L251			nsp	EMI FILTER	HB-1M2012-102JT	6200HJC102A
L401			nsp	EMI FILTER	HB-1M2012-102JT	6200HJC102A
L403			nsp	EMI FILTER	HB-1M2012-102JT	6200HJC102A
L404	5400, 970		nsp	EMI FILTER	HB-1M2012-102JT	6200HJC102A
L501			nsp	EMI FILTER	HB-1M2012-102JT	6200HJC102A
L502			nsp	EMI FILTER	HB-1M2012-102JT	6200HJC102A
L504			nsp	EMI FILTER	HB-1M2012-102JT	6200HJC102A
L510			nsp	EMI FILTER	HB-1M2012-102JT	6200HJC102A
L602			nsp	EMI FILTER	HB-1M2012-102JT	6200HJC102A
L673			nsp	EMI FILTER	HB-1M2012-102JT	6200HJC102A
L674			nsp	EMI FILTER	HB-1M2012-102JT	6200HJC102A
L6D1	5400, 970		nsp	EMI FILTER	HB-1M2012-102JT	6200HJC102A
L6F1			nsp	EMI FILTER	HB-1M2012-102JT	6200HJC102A
P5901			nsp	CORD	GIL-S-13P-S2T2-EF LG CABLE 13P	561-711M
P6101			nsp	CORD	GIL-S-12P-S2T2-EF LG CABLE 12P	561-711L
P6901			nsp	JACK	GIL-S-04P-S2T2-EF LG CABLE 4PI	561-711D
P6902	5400, 970		nsp	CORD	GIL-S-05P-S2T2-EF LG CABLE 5PI	561-711E
PMD02			nsp	JACK FPC	04-6232-023-010-000/JE500-B1.0	6630XE00123
PMD03			nsp	JACK FPC	04-6232-106-008-800 ELCO 6PIN	6630HXC106A
PMD04			nsp	JACK FPC	04-6232-107-008-800 ELCO 7P 1.0	6630R-FB02G
PMD05			nsp	JACK FPC	04-6232-008-010-000 ELCO 8P 1.0	6630XE00108
Q201			*HT300740R	TRS.	CHIP KTC3875S-GR-T1(ALG) KEC	0TR387509AC
Q202			*HF200300R	TRS.	2SK3018 T106 RΩ KOREA	0TRRH80042A
Q203			*HF200300R	TRS.	2SK3018 T106 RΩ KOREA	0TRRH80042A
Q204			*HX100140R	TRS.	KTA1504-GR-T1(ASG) CHIP KEC	0TR150409AC
Q205			*HX100140R	TRS.	KTA1504-GR-T1(ASG) CHIP KEC	0TR150409AC
Q206			*BA000870R	TRS.	CHIP KRC103S-T1(NC)22-22 KEC	0TR103009AA
Q401	5400, 970		*BA001510R	TRS.	KRA103S-T1(PC)22-22 CHIP KEC	0TR103009AC
Q402	5400, 970		*BA001510R	TRS.	KRA103S-T1(PC)22-22 CHIP KEC	0TR103009AC

NOTE : *nsp* PART IS LISTED FOR REFERENCE ONLY, MARANTZ WILL NOT SUPPLY THESE PARTS.

5400, 970 : VC5400, PMD970

POS. NO	VERS. COLOR	PART NO. (FOR EUR)	PART NO. (MJI)	DESCRIPTION		
Q501			*HT300740R	TRS.	CHIP KTC3875S-GR-T1(ALG) KEC	0TR387509AC
Q600			*HX100140R	TRS.	KTA1504-GR-T1(ASG) CHIP KEC	0TR150409AC
Q601			*BA001510R	TRS.	KRA103S-T1(PC)22-22 CHIP KEC	0TR103009AC
Q602			*BA001510R	TRS.	KRA103S-T1(PC)22-22 CHIP KEC	0TR103009AC
Q603			*HT300740R	TRS.	CHIP KTC3875S-GR-T1(ALG) KEC	0TR387509AC
Q604			*HT300740R	TRS.	CHIP KTC3875S-GR-T1(ALG) KEC	0TR387509AC
Q605			*HT300740R	TRS.	CHIP KTC3875S-GR-T1(ALG) KEC	0TR387509AC
Q606			*HT300740R	TRS.	CHIP KTC3875S-GR-T1(ALG) KEC	0TR387509AC
Q630	5400, 970		*HT300740R	TRS.	CHIP KTC3875S-GR-T1(ALG) KEC	0TR387509AC
Q631	5400, 970		*HT300740R	TRS.	CHIP KTC3875S-GR-T1(ALG) KEC	0TR387509AC
Q632	5400, 970		*HT300740R	TRS.	CHIP KTC3875S-GR-T1(ALG) KEC	0TR387509AC
Q633	5400, 970		*HT300740R	TRS.	CHIP KTC3875S-GR-T1(ALG) KEC	0TR387509AC
Q634	5400, 970		*HT300740R	TRS.	CHIP KTC3875S-GR-T1(ALG) KEC	0TR387509AC
Q635	5400, 970		*HT300740R	TRS.	CHIP KTC3875S-GR-T1(ALG) KEC	0TR387509AC
R201			NN05103610	CHIP RES.	10kΩ 1/16W 1608 5%	0RH1002C622
R202			NN05104610	CHIP RES.	100kΩ 1/16W 1608 5%	0RH1003C622
R203			NN05103610	CHIP RES.	10kΩ 1/16W 1608 5%	0RH1002C622
R204			NN05104610	CHIP RES.	100kΩ 1/16W 1608 5%	0RH1003C622
R205			NN05270610	CHIP RES.	27Ω 1/16W 1608 5%	0RH0272C622
R206			NN05270610	CHIP RES.	27Ω 1/16W 1608 5%	0RH0272C622
R207			NN05000610	CHIP RES.	0Ω 1/16W 1608 5%	0RH0000C622
R208			NN05000610	CHIP RES.	0Ω 1/16W 1608 5%	0RH0000C622
R209			NN05000610	CHIP RES.	0Ω 1/16W 1608 5%	0RH0000C622
R210			NN05000610	CHIP RES.	0Ω 1/16W 1608 5%	0RH0000C622
R211			NN05022610	CHIP RES.	2.2Ω 1/16W 1608 5%	0RH0221C622
R212			*NN000550R	CHIP RES.	750kΩ 1/16 W 5% 1608	0RJ7503C677
R213			NN05394610	CHIP RES.	390kΩ 1/16W 1608 5%	0RH3903C622
R214			*NN000550R	CHIP RES.	750kΩ 1/16 W 5% 1608	0RJ7503C677
R215			NN05394610	CHIP RES.	390kΩ 1/16W 1608 5%	0RH3903C622
R216			NN05010610	CHIP RES.	1Ω 1/16W 1608 5%	0RH0101C622
R217			NN05022610	CHIP RES.	2.2Ω 1/16W 1608 5%	0RH0221C622
R218			NN05022610	CHIP RES.	2.2Ω 1/16W 1608 5%	0RH0221C622
R220			NN05270610	CHIP RES.	27Ω 1/16W 1608 5%	0RH0272C622
R221			NN05270610	CHIP RES.	27Ω 1/16W 1608 5%	0RH0272C622
R231			NN05222610	CHIP RES.	2.2kΩ 1/16W 1608 5%	0RH2201C622
R232			NN05222610	CHIP RES.	2.2kΩ 1/16W 1608 5%	0RH2201C622
R233			NN05022610	CHIP RES.	2.2Ω 1/16W 1608 5%	0RH0221C622
R234			NN05022610	CHIP RES.	2.2Ω 1/16W 1608 5%	0RH0221C622
R235			NN05103610	CHIP RES.	10kΩ 1/16W 1608 5%	0RH1002C622
R236			NN05153610	CHIP RES.	15kΩ 1/16W 1608 5%	0RH1502C622
R237			NN05273610	CHIP RES.	27kΩ 1/16W 1608 5%	0RH2702C622
R238			NN05103610	CHIP RES.	10kΩ 1/16W 1608 5%	0RH1002C622
R239			NN05103610	CHIP RES.	10kΩ 1/16W 1608 5%	0RH1002C622
R240			NN05103610	CHIP RES.	10kΩ 1/16W 1608 5%	0RH1002C622
R241			NN05103610	CHIP RES.	10kΩ 1/16W 1608 5%	0RH1002C622
R242			NN05273610	CHIP RES.	27kΩ 1/16W 1608 5%	0RH2702C622
R243			NN05103610	CHIP RES.	10kΩ 1/16W 1608 5%	0RH1002C622
R244			NN05153610	CHIP RES.	15kΩ 1/16W 1608 5%	0RH1502C622
R245			NN05103610	CHIP RES.	10kΩ 1/16W 1608 5%	0RH1002C622
R246			NN05103610	CHIP RES.	10kΩ 1/16W 1608 5%	0RH1002C622
R247			NN05000610	CHIP RES.	0Ω 1/16W 1608 5%	0RH0000C622
R248			NN05000610	CHIP RES.	0Ω 1/16W 1608 5%	0RH0000C622
R251			NN05333610	CHIP RES.	33kΩ 1/16W 1608 5%	0RH3302C622
R252			NN05104610	CHIP RES.	100kΩ 1/16W 1608 5%	0RH1003C622
R253			NN05273610	CHIP RES.	27kΩ 1/16W 1608 5%	0RH2702C622
R254			NN05000610	CHIP RES.	0Ω 1/16W 1608 5%	0RH0000C622
R255			NN05000610	CHIP RES.	0Ω 1/16W 1608 5%	0RH0000C622
R256			NN05103610	CHIP RES.	10kΩ 1/16W 1608 5%	0RH1002C622
R257			NN05103610	CHIP RES.	10kΩ 1/16W 1608 5%	0RH1002C622

NOTE : *nsp* PART IS LISTED FOR REFERENCE ONLY, MARANTZ WILL NOT SUPPLY THESE PARTS.

5400, 970 : VC5400, PMD970

POS. NO	VERS. COLOR	PART NO. (FOR EUR)	PART NO. (MJJ)	DESCRIPTION		
R258			NN05000610	CHIP RES.	0Ω 1/16W 1608 5%	ORH0000C622
R259			NN05000610	CHIP RES.	0Ω 1/16W 1608 5%	ORH0000C622
R260			NN05473610	CHIP RES.	47kΩ 1/16W 1608 5%	ORH4702C622
R261			NN05472610	CHIP RES.	4.7kΩ 1/16W 1608 5%	ORH4701C622
R262			NN05102610	CHIP RES.	1kΩ 1/16W 1608 5%	ORH1001C622
R2D1			NN05000610	CHIP RES.	0Ω 1/16W 1608 5%	ORH0000C622
R2D2			NN05000610	CHIP RES.	0Ω 1/16W 1608 5%	ORH0000C622
R401			NN05102610	CHIP RES.	1kΩ 1/16W 1608 5%	ORH1001C622
R403	5400, 970		NN05000610	CHIP RES.	0Ω 1/16W 1608 5%	ORH0000C622
R405	5400, 970		NN05000610	CHIP RES.	0Ω 1/16W 1608 5%	ORH0000C622
R406	5400, 970		NN05000610	CHIP RES.	0Ω 1/16W 1608 5%	ORH0000C622
R407			NN05000610	CHIP RES.	0Ω 1/16W 1608 5%	ORH0000C622
R408	5400, 970		NN05000610	CHIP RES.	0Ω 1/16W 1608 5%	ORH0000C622
R408	VC4400		NN05471610	CHIP RES.	470Ω 1/16W 1608 5%	ORH4700C622
R409	5400, 970		NN05000610	CHIP RES.	0Ω 1/16W 1608 5%	ORH0000C622
R409	VC4400		NN05471610	CHIP RES.	470Ω 1/16W 1608 5%	ORH4700C622
R410	5400, 970		NN05000610	CHIP RES.	0Ω 1/16W 1608 5%	ORH0000C622
R410	VC4400		NN05471610	CHIP RES.	470Ω 1/16W 1608 5%	ORH4700C622
R411			NN05182610	CHIP RES.	1.8kΩ 1/16W 1608 5%	ORH1801C622
R412			NN05752610	CHIP RES.	7.5kΩ 1/16W 1608 5%	ORH7501C622
R413			NN05182610	CHIP RES.	1.8kΩ 1/16W 1608 5%	ORH1801C622
R414			NN05562610	CHIP RES.	5.6kΩ 1/16W 1608 5%	ORH5601C622
R415			NN05822610	CHIP RES.	8.2kΩ 1/16W 1608 5%	ORH8201C622
R416			NN05472610	CHIP RES.	4.7kΩ 1/16W 1608 5%	ORH4701C622
R417			NN05822610	CHIP RES.	8.2kΩ 1/16W 1608 5%	ORH8201C622
R418			NN05752610	CHIP RES.	7.5kΩ 1/16W 1608 5%	ORH7501C622
R419			NN05182610	CHIP RES.	1.8kΩ 1/16W 1608 5%	ORH1801C622
R420			NN05752610	CHIP RES.	7.5kΩ 1/16W 1608 5%	ORH7501C622
R421			NN05822610	CHIP RES.	8.2kΩ 1/16W 1608 5%	ORH8201C622
R422			NN05182610	CHIP RES.	1.8kΩ 1/16W 1608 5%	ORH1801C622
R423			NN05822610	CHIP RES.	8.2kΩ 1/16W 1608 5%	ORH8201C622
R424			NN05331610	CHIP RES.	330Ω 1/16W 1608 5%	ORH3300C622
R425			NN05331610	CHIP RES.	330Ω 1/16W 1608 5%	ORH3300C622
R426	5400, 970		NN05100610	CHIP RES.	10Ω 1/16W 1608 5%	ORH0102C622
R427	5400, 970		NN05000610	CHIP RES.	0Ω 1/16W 1608 5%	ORH0000C622
R428	5400, 970		NN05102610	CHIP RES.	1kΩ 1/16W 1608 5%	ORH1001C622
R429	5400, 970		NN05100610	CHIP RES.	10Ω 1/16W 1608 5%	ORH0102C622
R430	5400, 970		NN05000610	CHIP RES.	0Ω 1/16W 1608 5%	ORH0000C622
R431	5400, 970		NN05000610	CHIP RES.	0Ω 1/16W 1608 5%	ORH0000C622
R432	5400, 970		NN05000610	CHIP RES.	0Ω 1/16W 1608 5%	ORH0000C622
R433	5400, 970		NN05000610	CHIP RES.	0Ω 1/16W 1608 5%	ORH0000C622
R434	5400, 970		NN05000610	CHIP RES.	0Ω 1/16W 1608 5%	ORH0000C622
R435	5400, 970		NN05000610	CHIP RES.	0Ω 1/16W 1608 5%	ORH0000C622
R436	5400, 970		NN05000610	CHIP RES.	0Ω 1/16W 1608 5%	ORH0000C622
R437	5400, 970		NN05000610	CHIP RES.	0Ω 1/16W 1608 5%	ORH0000C622
R440	5400, 970		NN05752610	CHIP RES.	7.5kΩ 1/16W 1608 5%	ORH7501C622
R441	5400, 970		NN05562610	CHIP RES.	5.6kΩ 1/16W 1608 5%	ORH5601C622
R442	5400, 970		NN05472610	CHIP RES.	4.7kΩ 1/16W 1608 5%	ORH4701C622
R443	5400, 970		NN05153610	CHIP RES.	15kΩ 1/16W 1608 5%	ORH1502C622
R444	5400, 970		NN05682610	CHIP RES.	6.8kΩ 1/16W 1608 5%	ORH6801C622
R445	5400, 970		NN05102610	CHIP RES.	1kΩ 1/16W 1608 5%	ORH1001C622
R446	5400, 970		NN05752610	CHIP RES.	7.5kΩ 1/16W 1608 5%	ORH7501C622
R447	5400, 970		NN05682610	CHIP RES.	6.8kΩ 1/16W 1608 5%	ORH6801C622
R448	5400, 970		NN05153610	CHIP RES.	15kΩ 1/16W 1608 5%	ORH1502C622
R449	5400, 970		NN05331610	CHIP RES.	330Ω 1/16W 1608 5%	ORH3300C622
R450	5400, 970		NN05221610	CHIP RES.	220Ω 1/16W 1608 5%	ORH2200C622
R451	5400, 970		NN05104610	CHIP RES.	100kΩ 1/16W 1608 5%	ORH1003C622
R452	5400, 970		NN05221610	CHIP RES.	220Ω 1/16W 1608 5%	ORH2200C622
R453	5400, 970		NN05104610	CHIP RES.	100kΩ 1/16W 1608 5%	ORH1003C622

NOTE : *nsp* PART IS LISTED FOR REFERENCE ONLY, MARANTZ WILL NOT SUPPLY THESE PARTS.

5400, 970 : VC5400, PMD970

POS. NO	VERS. COLOR	PART NO. (FOR EUR)	PART NO. (MJI)	DESCRIPTION		
R454	5400, 970		NN05752610	CHIP RES.	7.5kΩ 1/16W 1608 5%	0RH7501C622
R456	5400, 970		NN05562610	CHIP RES.	5.6kΩ 1/16W 1608 5%	0RH5601C622
R457	5400, 970		NN05472610	CHIP RES.	4.7kΩ 1/16W 1608 5%	0RH4701C622
R458	5400, 970		NN05752610	CHIP RES.	7.5kΩ 1/16W 1608 5%	0RH7501C622
R459	5400, 970		NN05153610	CHIP RES.	15kΩ 1/16W 1608 5%	0RH1502C622
R460	5400, 970		NN05682610	CHIP RES.	6.8kΩ 1/16W 1608 5%	0RH6801C622
R461	5400, 970		NN05102610	CHIP RES.	1kΩ 1/16W 1608 5%	0RH1001C622
R462	5400, 970		NN05682610	CHIP RES.	6.8kΩ 1/16W 1608 5%	0RH6801C622
R463	5400, 970		NN05153610	CHIP RES.	15kΩ 1/16W 1608 5%	0RH1502C622
R464	5400, 970		NN05331610	CHIP RES.	330Ω 1/16W 1608 5%	0RH3300C622
R465	5400, 970		NN05331610	CHIP RES.	330Ω 1/16W 1608 5%	0RH3300C622
R466	5400, 970		NN05221610	CHIP RES.	220Ω 1/16W 1608 5%	0RH2200C622
R467	5400, 970		NN05104610	CHIP RES.	100kΩ 1/16W 1608 5%	0RH1003C622
R468	5400, 970		NN05221610	CHIP RES.	220Ω 1/16W 1608 5%	0RH2200C622
R469	5400, 970		NN05104610	CHIP RES.	100kΩ 1/16W 1608 5%	0RH1003C622
R470	5400, 970		NN05752610	CHIP RES.	7.5kΩ 1/16W 1608 5%	0RH7501C622
R471	5400, 970		NN05562610	CHIP RES.	5.6kΩ 1/16W 1608 5%	0RH5601C622
R472	5400, 970		NN05472610	CHIP RES.	4.7kΩ 1/16W 1608 5%	0RH4701C622
R473	5400, 970		NN05153610	CHIP RES.	15kΩ 1/16W 1608 5%	0RH1502C622
R474	5400, 970		NN05682610	CHIP RES.	6.8kΩ 1/16W 1608 5%	0RH6801C622
R475	5400, 970		NN05102610	CHIP RES.	1kΩ 1/16W 1608 5%	0RH1001C622
R476	5400, 970		NN05752610	CHIP RES.	7.5kΩ 1/16W 1608 5%	0RH7501C622
R477	5400, 970		NN05682610	CHIP RES.	6.8kΩ 1/16W 1608 5%	0RH6801C622
R478	5400, 970		NN05153610	CHIP RES.	15kΩ 1/16W 1608 5%	0RH1502C622
R479	5400, 970		NN05331610	CHIP RES.	330Ω 1/16W 1608 5%	0RH3300C622
R480	5400, 970		NN05221610	CHIP RES.	220Ω 1/16W 1608 5%	0RH2200C622
R481	5400, 970		NN05104610	CHIP RES.	100kΩ 1/16W 1608 5%	0RH1003C622
R482	5400, 970		NN05331610	CHIP RES.	330Ω 1/16W 1608 5%	0RH3300C622
R483	5400, 970		NN05221610	CHIP RES.	220Ω 1/16W 1608 5%	0RH2200C622
R484	5400, 970		NN05104610	CHIP RES.	100kΩ 1/16W 1608 5%	0RH1003C622
R485	5400, 970		NN05102610	CHIP RES.	1kΩ 1/16W 1608 5%	0RH1001C622
R486	5400, 970		NN05102610	CHIP RES.	1kΩ 1/16W 1608 5%	0RH1001C622
R487			NN05752610	CHIP RES.	7.5kΩ 1/16W 1608 5%	0RH7501C622
R488	5400, 970		NN05331610	CHIP RES.	330Ω 1/16W 1608 5%	0RH3300C622
R501			NN05822610	CHIP RES.	8.2kΩ 1/16W 1608 5%	0RH8201C622
R502			*NN000550R	CHIP RES.	750kΩ 1/16 W 5% 1608	0RJ7503C677
R503			NN05047610	CHIP RES.	4.7Ω 1/16W 1608 5%	0RH0471C622
R504			NN05000610	CHIP RES.	0Ω 1/16W 1608 5%	0RH0000C622
R505			NN05047610	CHIP RES.	4.7Ω 1/16W 1608 5%	0RH0471C622
R506			NN05047610	CHIP RES.	4.7Ω 1/16W 1608 5%	0RH0471C622
R507			NN05182610	CHIP RES.	1.8kΩ 1/16W 1608 5%	0RH1801C622
R508			NN05104610	CHIP RES.	100kΩ 1/16W 1608 5%	0RH1003C622
R509			NN05000610	CHIP RES.	0Ω 1/16W 1608 5%	0RH0000C622
R510			NN05000610	CHIP RES.	0Ω 1/16W 1608 5%	0RH0000C622
R511			NN05183610	CHIP RES.	18kΩ 1/16W 1608 5%	0RH1802C622
R512			NN05104610	CHIP RES.	100kΩ 1/16W 1608 5%	0RH1003C622
R513			NN05000610	CHIP RES.	0Ω 1/16W 1608 5%	0RH0000C622
R515			NN05330610	CHIP RES.	33Ω 1/16W 1608 5%	0RH0332C622
R516			NN05330610	CHIP RES.	33Ω 1/16W 1608 5%	0RH0332C622
R517			NN05330610	CHIP RES.	33Ω 1/16W 1608 5%	0RH0332C622
R518			NN05330610	CHIP RES.	33Ω 1/16W 1608 5%	0RH0332C622
R519			NN05330610	CHIP RES.	33Ω 1/16W 1608 5%	0RH0332C622
R520			NN05330610	CHIP RES.	33Ω 1/16W 1608 5%	0RH0332C622
R521			NN05330610	CHIP RES.	33Ω 1/16W 1608 5%	0RH0332C622
R522			NN05330610	CHIP RES.	33Ω 1/16W 1608 5%	0RH0332C622
R523			NN05122610	CHIP RES.	1.2kΩ 1/16W 1608 5%	0RH1201C622
R524			NN05122610	CHIP RES.	1.2kΩ 1/16W 1608 5%	0RH1201C622
R525			NN05122610	CHIP RES.	1.2kΩ 1/16W 1608 5%	0RH1201C622
R526			NN05101610	CHIP RES.	100Ω 1/16W 1608 5%	0RH1000C622

NOTE : *nsp* PART IS LISTED FOR REFERENCE ONLY, MARANTZ WILL NOT SUPPLY THESE PARTS.

5400, 970 : VC5400, PMD970

POS. NO	VERS. COLOR	PART NO. (FOR EUR)	PART NO. (MJJ)	DESCRIPTION
R527	5400, 970		NN05472610	CHIP RES. 4.7kΩ 1/16W 1608 5% ORH4701C622
R527	VC4400		NN05472610	CHIP RES. 4.7kΩ 1/16W 1608 5% ORH4701C622
R528			NN05122610	CHIP RES. 1.2kΩ 1/16W 1608 5% ORH1201C622
R529			NN05000610	CHIP RES. 0Ω 1/16W 1608 5% ORH0000C622
R534			NN05102610	CHIP RES. 1kΩ 1/16W 1608 5% ORH1001C622
R535			NN05102610	CHIP RES. 1kΩ 1/16W 1608 5% ORH1001C622
R536			NN05000610	CHIP RES. 0Ω 1/16W 1608 5% ORH0000C622
R564			NN05183610	CHIP RES. 18kΩ 1/16W 1608 5% ORH1802C622
R565			NN05183610	CHIP RES. 18kΩ 1/16W 1608 5% ORH1802C622
R566			NN05103610	CHIP RES. 10kΩ 1/16W 1608 5% ORH1002C622
R567			NN05103610	CHIP RES. 10kΩ 1/16W 1608 5% ORH1002C622
R571	VC4400		NN05000610	CHIP RES. 0Ω 1/16W 1608 5% ORH0000C622
R571	5400, 970		NN05221610	CHIP RES. 220Ω 1/16W 1608 5% ORH2200C622
R573			NN05000610	CHIP RES. 0Ω 1/16W 1608 5% ORH0000C622
R574	VC4400		NN05000610	CHIP RES. 0Ω 1/16W 1608 5% ORH0000C622
R574	5400, 970		NN05221610	CHIP RES. 220Ω 1/16W 1608 5% ORH2200C622
R575	VC4400		NN05000610	CHIP RES. 0Ω 1/16W 1608 5% ORH0000C622
R575	5400, 970		NN05221610	CHIP RES. 220Ω 1/16W 1608 5% ORH2200C622
R576	VC4400		NN05000610	CHIP RES. 0Ω 1/16W 1608 5% ORH0000C622
R576	5400, 970		NN05221610	CHIP RES. 220Ω 1/16W 1608 5% ORH2200C622
R577	VC4400		NN05000610	CHIP RES. 0Ω 1/16W 1608 5% ORH0000C622
R577	5400, 970		NN05221610	CHIP RES. 220Ω 1/16W 1608 5% ORH2200C622
R578			NN05331610	CHIP RES. 330Ω 1/16W 1608 5% ORH3300C622
R579			NN05102610	CHIP RES. 1kΩ 1/16W 1608 5% ORH1001C622
R580			NN05102610	CHIP RES. 1kΩ 1/16W 1608 5% ORH1001C622
R581			NN05102610	CHIP RES. 1kΩ 1/16W 1608 5% ORH1001C622
R5A7			NN05103610	CHIP RES. 10kΩ 1/16W 1608 5% ORH1002C622
R5A9			NN05102610	CHIP RES. 1kΩ 1/16W 1608 5% ORH1001C622
R621			NN05221610	CHIP RES. 220Ω 1/16W 1608 5% ORH2200C622
R622			NN05221610	CHIP RES. 220Ω 1/16W 1608 5% ORH2200C622
R623			NN05104610	CHIP RES. 100kΩ 1/16W 1608 5% ORH1003C622
R624			NN05104610	CHIP RES. 100kΩ 1/16W 1608 5% ORH1003C622
R625			NN05103610	CHIP RES. 10kΩ 1/16W 1608 5% ORH1002C622
R626			NN05102610	CHIP RES. 1kΩ 1/16W 1608 5% ORH1001C622
R627			NN05102610	CHIP RES. 1kΩ 1/16W 1608 5% ORH1001C622
R628			NN05102610	CHIP RES. 1kΩ 1/16W 1608 5% ORH1001C622
R629			NN05102610	CHIP RES. 1kΩ 1/16W 1608 5% ORH1001C622
R634			NN05102610	CHIP RES. 1kΩ 1/16W 1608 5% ORH1001C622
R635			NN05472610	CHIP RES. 4.7kΩ 1/16W 1608 5% ORH4701C622
R636			NN05472610	CHIP RES. 4.7kΩ 1/16W 1608 5% ORH4701C622
R640			NN05151610	CHIP RES. 150Ω 1/16W 1608 1.00% D ORH1500C422
R643			NN05151610	CHIP RES. 150Ω 1/16W 1608 1.00% D ORH1500C422
R649			NN05151610	CHIP RES. 150Ω 1/16W 1608 1.00% D ORH1500C422
R652			NN05151610	CHIP RES. 150Ω 1/16W 1608 1.00% D ORH1500C422
R655			NN05151610	CHIP RES. 150Ω 1/16W 1608 1.00% D ORH1500C422
R656			NN05000610	CHIP RES. 0Ω 1/16W 1608 5% ORH0000C622
R661			NN05750610	CHIP RES. 75Ω 1/16W 1608 5% ORH0752C622
R662			NN05750610	CHIP RES. 75Ω 1/16W 1608 5% ORH0752C622
R663			NN05750610	CHIP RES. 75Ω 1/16W 1608 5% ORH0752C622
R664			NN05750610	CHIP RES. 75Ω 1/16W 1608 5% ORH0752C622
R665			NN05750610	CHIP RES. 75Ω 1/16W 1608 5% ORH0752C622
R666			NN05750610	CHIP RES. 75Ω 1/16W 1608 5% ORH0752C622
R670	5400, 970		NN05102610	CHIP RES. 1kΩ 1/16W 1608 5% ORH1001C622
R671	5400, 970		NN05102610	CHIP RES. 1kΩ 1/16W 1608 5% ORH1001C622
R672	5400, 970		NN05102610	CHIP RES. 1kΩ 1/16W 1608 5% ORH1001C622
R673	5400, 970		NN05102610	CHIP RES. 1kΩ 1/16W 1608 5% ORH1001C622
R674	5400, 970		NN05102610	CHIP RES. 1kΩ 1/16W 1608 5% ORH1001C622
R675	5400, 970		NN05102610	CHIP RES. 1kΩ 1/16W 1608 5% ORH1001C622
R691			NN05000610	CHIP RES. 0Ω 1/16W 1608 5% ORH0000C622

NOTE : *nsp* PART IS LISTED FOR REFERENCE ONLY, MARANTZ WILL NOT SUPPLY THESE PARTS.

5400, 970 : VC5400, PMD970

POS. NO	VERS. COLOR	PART NO. (FOR EUR)	PART NO. (MJI)	DESCRIPTION		
R695			NN05472610	CHIP RES.	4.7kΩ 1/16W 1608 5%	0RH4701C622
R696	VC4400		NN05221610	CHIP RES.	220Ω 1/16W 1608 5%	0RH2200C622
R697	VC4400		NN05221610	CHIP RES.	220Ω 1/16W 1608 5%	0RH2200C622
R698	VC4400		NN05104610	CHIP RES.	100kΩ 1/16W 1608 5%	0RH1003C622
R699	VC4400		NN05104610	CHIP RES.	100kΩ 1/16W 1608 5%	0RH1003C622
R6D1	5400, 970		NN05000610	CHIP RES.	0Ω 1/16W 1608 5%	0RH0000C622
R6D3	5400, 970		NN05220610	CHIP RES.	22Ω 1/16W 1608 5%	0RH0222C622
R6S1	5400, 970		NN05101610	CHIP RES.	100Ω 1/16W 1608 5%	0RH1000C622
R6S2	5400, 970		NN05101610	CHIP RES.	100Ω 1/16W 1608 5%	0RH1000C622
R6S3	5400, 970		NN05101610	CHIP RES.	100Ω 1/16W 1608 5%	0RH1000C622
R6S4	5400, 970		NN05101610	CHIP RES.	100Ω 1/16W 1608 5%	0RH1000C622
R6T1	5400, 970		NN05122610	CHIP RES.	1.2kΩ 1/16W 1608 5%	0RH1201C622
R6T2	5400, 970		NN05122610	CHIP RES.	1.2kΩ 1/16W 1608 5%	0RH1201C622
R6T3	5400, 970		NN05122610	CHIP RES.	1.2kΩ 1/16W 1608 5%	0RH1201C622
R6T4	5400, 970		NN05122610	CHIP RES.	1.2kΩ 1/16W 1608 5%	0RH1201C622
R6W1			*NN000540R	CHIP RES.	110Ω 1/16W 1608 5%	0RH1100C622
R6W2			NN05750610	CHIP RES.	75Ω 1/16W 1608 5%	0RH0752C622
R6W3			NN05220610	CHIP RES.	22Ω 1/16W 1608 5%	0RH0222C622
R6W4			*NN000540R	CHIP RES.	110Ω 1/16W 1608 5%	0RH1100C622
R6W5			NN05220610	CHIP RES.	22Ω 1/16W 1608 5%	0RH0222C622
R735			NN05000610	CHIP RES.	0Ω 1/16W 1608 5%	0RH0000C622
X501			*JX000880R	CRYSTAL	HC-49/S BUBANG 27MHZ 20PPM 1	6202R-BL06C
ZD201			*HD302200R	ZENER DIODE	BZX84-C4V7 PHILIPS R/TP SOT23	0DZPH00108A
ZD510			*HD301840R	ZENER DIODE	GDZJ5.6B 26MM TP GRANDE DO34	0DZ562609AA
					POWER PCB	
BC101			*FC900210R	EMI FILTER	BEAD CORE BFS3550R2FD8	636-004C
BD101			*HD201400R	DIODE	S1WBA60(1A 600V) SHIDENKEN	0DD160000DA
▲ C101			*DF100350R	FILM CAP.	MPX104K ETR/EUROPTRONIC	624-088S
C102			*DF100350R	FILM CAP.	MPX104K ETR/EUROPTRONIC	624-088S
C103			*EA000970R	ELECT. CAP.	100μF SMS 200V M W BULK	0CE1076Q600
C104			EA47605020	CAPACITOR	CE 47μF/50V KME (SMPS)	624-085D
C106			OA10601620	ELECT. CAP.	10μF SRA 16V M FM5	0CE1064F638
C107			*DK100840R	CER. CAP.	2200 pF 400V M E R (NK AD SD)	0CG2220U630
C108			OA47405020	ELECT. CAP.	0.47μF SRA 50V M FM5	0CE4744K638
C109			*EA001130R	ELECT. CAP.	1000μF KME 16V M FM5 BULK	0CE108BF630
C110			DA17473110	ELECT. CAP.	0.047μF D 50V +80%-20% F(Y5V)	0CN4730K948
C112			OA33701020	ELECT. CAP.	330μF SMS 10V M FM5 TP5	0CE3376D638
C113			*DK100830R	CER. CAP.	1000pF 400V M E(Z5U) R	0CG1020U630
C115			EA33605010	ELECT. CAP.	33μF SMS SG 50V 20% FM5	0CE3366K638
C116			*EA001120R	ELECT. CAP.	470μF KME TYPE 25V M FM5 BULK	0CE477BH630
C118			OA10701620	ELECT. CAP.	100μF SRA 16V M FM5	0CE1074F638
C119			*DK100820R	CAPACITOR	HIGH-VOL 68pF/1KV SAMHWA	624-087G
C120			OA10701620	ELECT. CAP.	100μF SRA 16V M FM5	0CE1074F638
C121			OA22701620	ELECT. CAP.	220μF SMS 16V M FM5	0CE2276F638
C122			EA47605020	CAPACITOR	CE 47μF/50V KME (SMPS)	624-085D
C123			*EA001130R	ELECT. CAP.	1000μF KME 16V M FM5 BULK	0CE108BF630
C124			EA33702510	ELECT. CAP.	330μF SHL SD 25V 20% FL TP 5	0CE337CH618
C126			DF15103350	FILM CAP.	0.01μF D 630V K PE NI TP	0CQ1031Y519
C128			OF15104040	FILM CAP.	0.1μF S 50V J PE TP	0CQ1042K409
C130			OA10701620	ELECT. CAP.	100μF SRA 16V M FM5	0CE1074F638
C131			OA10701620	ELECT. CAP.	100μF SRA 16V M FM5	0CE1074F638
C136			OA10601620	ELECT. CAP.	10μF SRA 16V M FM5	0CE1064F638
C137			OA33701020	ELECT. CAP.	330μF SMS 10V M FM5 TP5	0CE3376D638
D100			*HD201480R	DIODE	ERA22-10 KFLB	0DD221009AA
D102			*HD201590R	DIODE	1N5822 BK DO201AD 40V	0DR158220AA
D103			*HD201470R	DIODE	RU3YXLF-C1 BK SANKEN D4 100V	0DR310000AA
D104			*HD201390R	DIODE	EU01W(R-FORM) TP SANKEN	0DD010009AC
D106			*HD201430R	DIODE	RL104 GULF SEMICONDUCTOR	0DR104009AB

NOTE : *nsp* PART IS LISTED FOR REFERENCE ONLY, MARANTZ WILL NOT SUPPLY THESE PARTS.

5400, 970 : VC5400, PMD970

POS. NO	VERS. COLOR	PART NO. (FOR EUR)	PART NO. (MJ)	DESCRIPTION		
D107			*HD201390R	DIODE	EU01W(R-FORM) TP SANKEN	ODD010009AC
D108			*HD201390R	DIODE	EU01W(R-FORM) TP SANKEN	ODD010009AC
D109			*HD201470R	DIODE	RU3YXLF-C1 BK SANKEN D4 100V	ODR310000AA
D110			*HD201760R	DIODE	RL104F NON 400V 1A	ODR104009BA
D111			*HD201600R	DIODE	1N17 NON 20V 1A	ODRRE00029A
▲ F101			*FS001110R	FUSE	1.6A 250V 5.2X20 CY/GL KS SB	0FS1601B51B
F102			nsp	RES.	0.2Ω 1/6W 10% TA26	0RF0200F708
F103			nsp	JUMPER	D=0.6 ROLL	874-000T
F105			nsp	JUMPER	D=0.6 ROLL	874-000T
FH101			nsp	HOLDER	FUSE CLIP TP SINSUNG	586-008B
FH102			nsp	HOLDER	FUSE CLIP TP SINSUNG	586-008B
IC101			*HC108590R	IC	ICE2B0565 INFINEON 8PIN DIP ST	0IPMGIH004A
▲ IC102			*HC200090R	IC	LTV-817B PHOTO COUPLER	657-063A
IC103			*HC300430R	IC	KA78R12TSTU FAIRCHILD 4P TO-22	0IPMGFA017A
IC104			*HC108460R	IC	KIA431 3 PIN TP	0IKE431000A
IC105			*HC300410R	IC	KA78R08TSTU FAIRCHILD 4P TO-22	0IPMGFA016A
IC106			*HC300420R	IC	KA78R33TSTU FAIRCHILD 4P TO-22	0IPMGFA015A
▲ L101			*FN000140R	EMI FILTER	V-04350 LS FUTAI BULK =616-145	616-145M
L102			*LC107320R	CHOKE COIL	CHOCK 20UH KWANGSUNG LEAD	633-088D
L103			*LC107330R	CHOKE COIL	CHOCK 22UH 5MM TOKO TP	633-088G
L105			*LC107330R	CHOKE COIL	CHOCK 22UH 5MM TOKO TP	633-088G
P1301			nsp	CORD	GIL-S12/9073-12 ST UL1061 AWG	6631R-E024U
P1901			nsp	CORD	GIL-S08/9073-08 ST UL1061 AWG	6631R-E024X
▲ PW101			nsp	CONNECTOR	GP390 LGC 3P 3.96 STRAIGHT	561-292B
Q101			*HT300720R	TRS.	KTC3198-TP-BL (KTC1815)KEC	0TR319809AC
Q102			*BA001520R	TRS.	KRA105M KEC TO92 50V 100MA	0TR105009AD
Q107			*HT200390R	TRS.	KSB1151-Y BK SAMSUNG TO-126	0TR115100AA
Q108			*HT300720R	TRS.	KTC3198-TP-BL (KTC1815)KEC	0TR319809AC
R100			nsp	RES.	1.5MΩ 1/2 W 5% MF10	ORD1504H632
R101			nsp	RES.	2.7/2W CEMENT SMPS V	614-007A
R103			nsp	RES.	56kΩ 2 W 5% TR	0RS5602K619
R107			nsp	RES.	0.6Ω 2 W 5% TR	0RS0600K619
R108			nsp	JUMPER	D=0.6 ROLL	874-000T
R109			GD05224160	RES.	220kΩ 1/6W 5% TA26	ORD2203F608
R110			GD05224160	RES.	220kΩ 1/6W 5% TA26	ORD2203F608
R112			GD05390160	RES.	39Ω 1/6W 5% TA26	ORD0392F608
R114			GD05104160	RES.	100kΩ 1/6W 5% TA26	ORD1003F608
R115			GD05180160	RES.	18Ω 1/6W 5% TA26	ORD0182F608
R116			GD05180160	RES.	18Ω 1/6W 5% TA26	ORD0182F608
R120			GD05473160	RES.	47kΩ 1/6W 5% TA26	ORD4702F608
R121			GD05122160	RES.	1.2kΩ 1/6W 5% TA26	ORD1201F608
R122			GD05221160	RES.	220Ω 1/6W 5% TA26	ORD2200F608
R123			GD05102160	RES.	1kΩ 1/6W 5% TA26	ORD1001F608
R124			GD05181160	RES.	180Ω 1/6W 5% TA26	ORD1800F608
R125			GD05392160	RES.	3.9kΩ 1/6W 5% TA26	ORD3901F608
R126			GD05102160	RES.	1kΩ 1/6W 5% TA26	ORD1001F608
R127			nsp	RES.	3.6kΩ 1/8W 1.00% TA26	0RN3601E408
R128			nsp	RES.	3.3kΩ 1/8W 1.00% TA26	0RN3301E408
R129			nsp	JUMPER	D=0.6 ROLL	874-000T
R130			GD05103160	RES.	10kΩ 1/6W 5% TA26	ORD1002F608
R131			GD05222160	RES.	2.2kΩ 1/6W 5% TA26	ORD2201F608
R132			GD05103160	RES.	10kΩ 1/6W 5% TA26	ORD1002F608
R140			GD05102160	RES.	1kΩ 1/6W 5% TA26	ORD1001F608
R142			GD05102160	RES.	1kΩ 1/6W 5% TA26	ORD1001F608
R145			GD05471160	RES.	470Ω 1/6W 5% TA26	ORD4700F608
▲ T101			*TS002040R	TRANSF.	EE2621 FEELUX/SAMWHA/SOOJUNG	6170RNGW22B
▲ V101			*HV000040R	VARISTOR	SVC681D-10A SAMHWA 4.O CUT	656-004C
ZD101			*HD302230R	ZENER DIODE	GDZJ5.6B 26MM TP26 DO34	0DZ560009CJ

NOTE : "nsp" PART IS LISTED FOR REFERENCE ONLY, MARANTZ WILL NOT SUPPLY THESE PARTS.

MECHANISM

CONTENTS

DECK MECHANISM PARTS LOCATIONS

- Top View.....4-1
- Top View(without Tray Disc)4-1
- Bottom View4-1

DECK MECHANISM DISASSEMBLY

1. Holder Assembly Clamp.....4-2

- 1-1. Plate Clamp4-2
- 1-2. Magnet Clamp4-2
- 1-3. Upper Clamp.....4-2
- 1-4. Holder Clamp.....4-2

2. Base Assembly Tray4-2

- 2-1. Tray Disc(Fig.4-2)4-2
- 2-2. Roller Base Tray4-2
- 2-3. PCB Assembly Tray4-2
- 2-4. Motor Assembly Tray4-2
- 2-5. Gear Tray.....4-2
- 2-6. Gear Wheel Tray4-2
- 2-7. Base Tray.....4-2

3. Frame Assembly Up/Down4-3

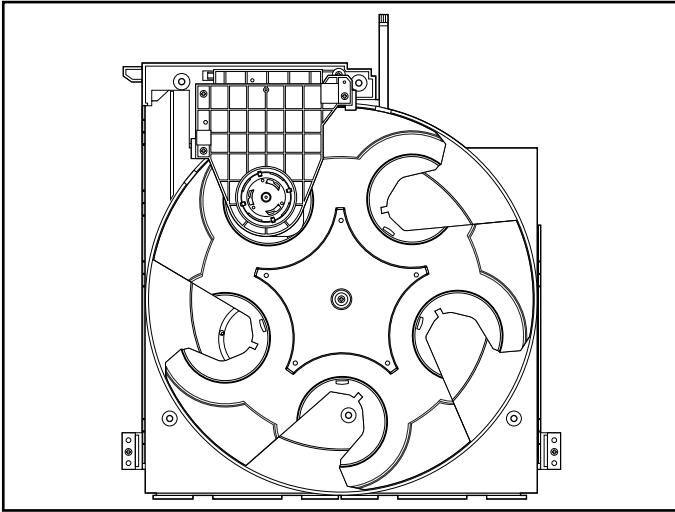
- 3-1. PCB Assembly Junction4-3
- 3-2. Base Assembly Sled Damper4-3
 - 3-2-1. Gear Assembly Feed4-3
 - 3-2-2. Gear Assembly Middle.....4-3
 - 3-2-3. Gear Assembly Rack4-3
- 3-3. Rubber Damper4-3
- 3-4. Frame Up/Down.....4-3

4. Base Assembly Main.....4-4

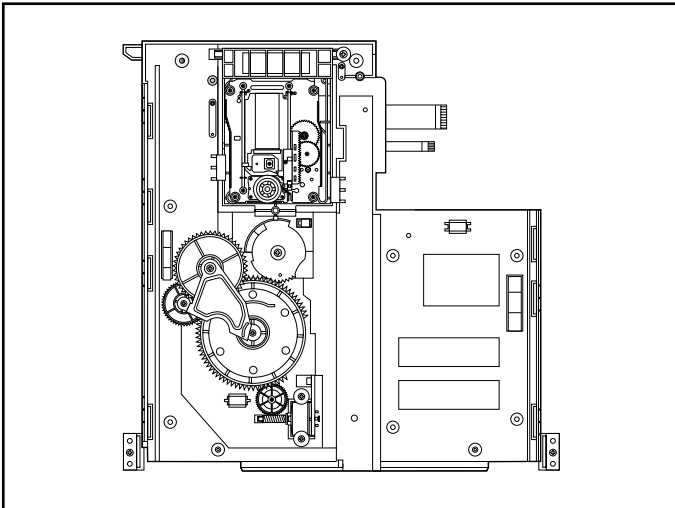
- 4-1. PCB Assembly Main Mode4-4
- 4-2. Gear Slider.....4-4
- 4-3. Gear Exchange.....4-4
- 4-4. Gear Main4-4
- 4-5. Gear Up/Down4-4
- 4-6. Gear Wheel Main.....4-4
- 4-7. Gear Loading.....4-4
- 4-8. Motor Assembly Main4-4
- 4-9. Base Main.....4-4

DECK MECHANISM PARTS LOCATION

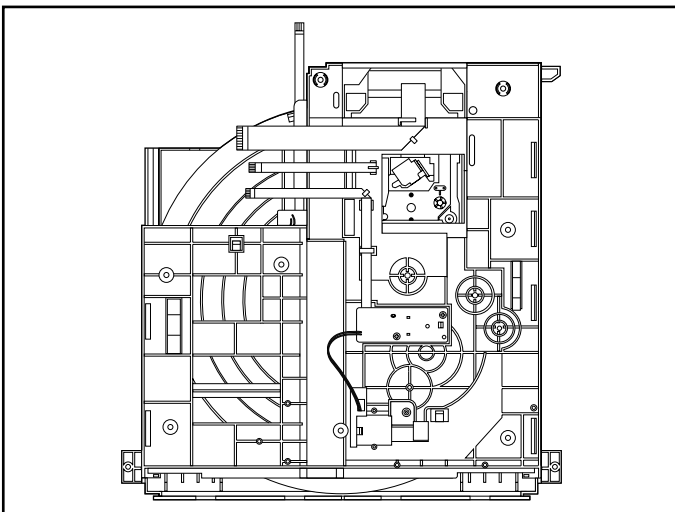
• Top View (With Tray)



• Top View (Without Tray)



• Bottom View



Procedure		Parts	Fixing Type	Disassembly	Figure
Starting No.					
	1	Holder Assembly Clamp	3 Screws 2 Connectors 1 Hook	Top	4-1
1	2	Plate Clamp		Top	4-1
1,2	3	Magnet Clamp		Top	4-1
1,2,3	4	Upper Clamp		Top	4-1
1,2,3,4	5	Holder Clamp		Top	4-1
	6	Base Assembly Tray	2 Locking Tabs	Top	4-2
	7	Tray Disc	1 Screw	Top	4-2
6	8	Roller Base Tray	2 Locking Tabs	Bottom	4-2
6	9	PCB Assembly Tray	2 Screws 1 Connector	Bottom	4-2
6,7	10	Motor Assembly Tray	2 Screws	Top	4-2
6,7,10	11	Gear Tray		Top	4-2
6,7,10,11	12	Gear Wheel Tray		Top	4-2
6,7,8,9,10,11,12	13	Base Tray		Top	4-2
1	14	Frame Assembly Up/Down	1 Screw	Top	4-3
	15	PCB Assembly Junction	2 Screws 5 Connectors	Bottom	4-3
1	16	Base Assembly Sled Damper	4 Screws 1 Connector	Top	4-3
1	17	Gear Assembly Feed	1 Locking Tab	Top	4-3
1,17	18	Gear Middle		Top	4-3
1,17	19	Gear Assembly Rack	1 Screw	Top	4-3
1	20	Rubber Damper		Top	4-3
1,15,16,17,18,19,20	21	Frame Up/Down		Top	4-3
1,14	22	Base Assembly Main		Top	4-4
	23	PCB Assembly Main Mode	2 Connectors 3 Screws	Bottom	4-4
6	24	Gear Slider	1 Screw	Top	4-4
6,24	25	Gear Exchange	1 Screw	Top	4-4
6,24	26	Gear Main	1 Screw	Top	4-4
6,24,26	27	Gear Up/Down	1 Screw	Top	4-4
6,24,26	28	Gear Wheel Main	1 Screw	Top	4-4
6,24,26,28	29	Gear Loading		Top	4-4
6,28	30	Motor Assembly Main	2 Screws 1 Locking Tab	Top	4-4
1,6,14,23,24,25,26,27,28,29,30	31	Base Main		Top	4-4

Note

When reassembling, perform the procedure in reverse order.

The "Bottom" on Disassembly column of above Table indicates the part should be disassembled at the Bottom side.

DECK MECHANISM DISASSEMBLY

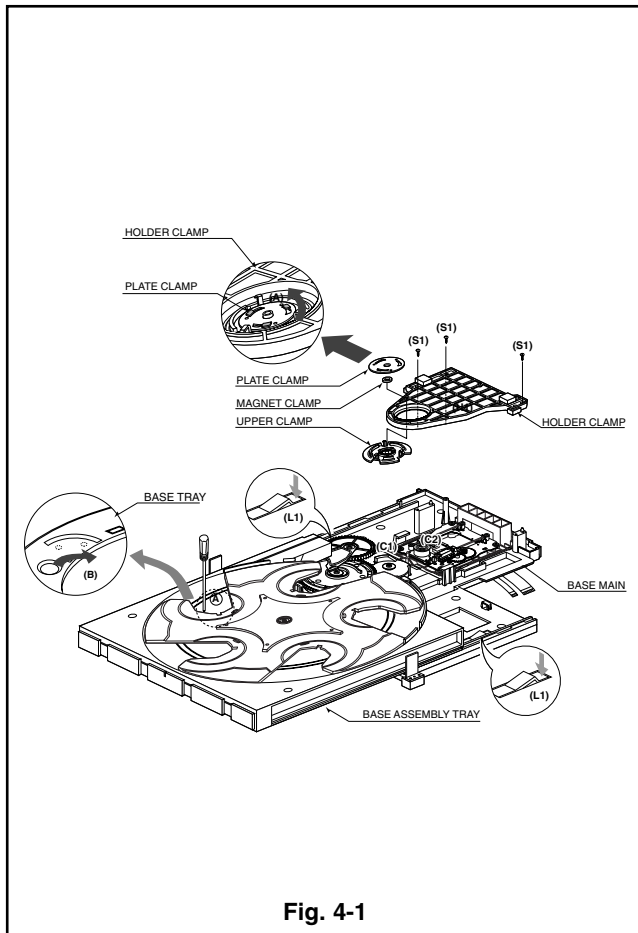


Fig. 4-1

1. Holder Assembly Clamp(Fig. 4-1)

- 1) Release 3 Screws(S1).
- 2) Unlock The Connectors (C1), (C2) from the Hook(H1).

1-1. Plate Clamp

- 1) Hold and fix the Upper Clamp under the Holder Assembly Clamp, and then turn the Plate Clamp to the counterclockwise direction(arrow(A)).

1-2. Magnet Clamp

1-3. Upper Clamp

1-4. Holder Clamp

Note

- When reassembling, hold and fix the Upper Clamp as above No. 1-1(1), and then turn the Plate Clamp to the clockwise direction.

2. Base Assembly Tray(Fig. 4-1)

- 1) Turn the (A) portion to the direction of arrow(B) to move the Base Assembly Tray in front of you.
- 2) Push down two Locking Tabs(L1) located to both sides of the Base Main, and then pull the Base Assembly tray in front of you.

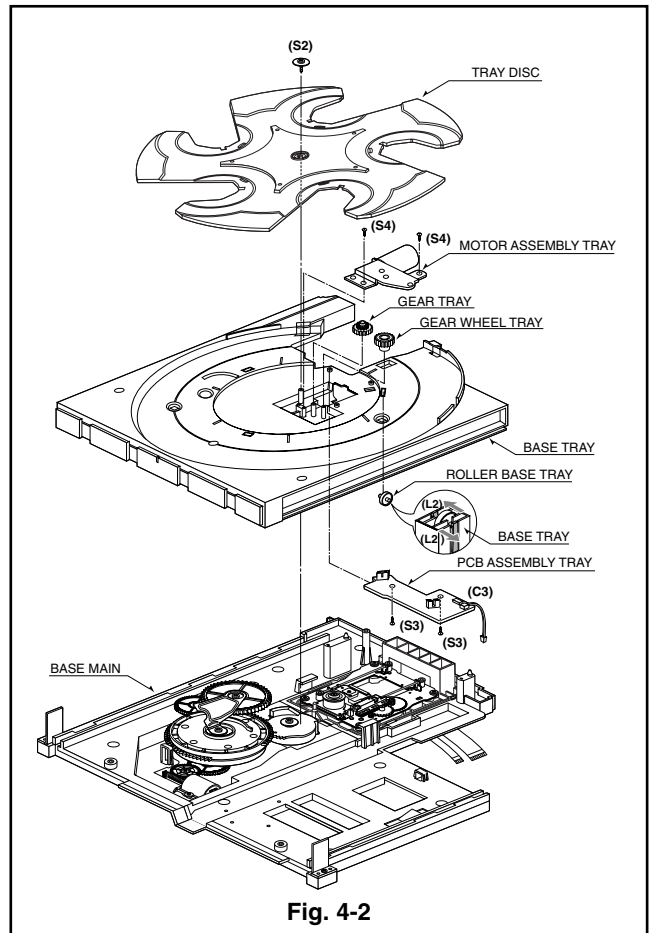


Fig. 4-2

2-1. Tray Disc(Fig.4-2)

- 1) Release Screw(S2).

Note

- Put the Base Assembly Tray face down(Bottom side).

2-2. Roller Base Tray

- 1) Unlock the two Locking Tabs(L2).

2-3. PCB Assembly Tray

- 1) Release two Screws(S3).
- 2) Unconnect the Connector(C3).

Note

- Put the Base Assembly Tray on original position(Top Side).

2-4. Motor Assembly Tray

- 1) Release 2 Screws(S4).

2-5. Gear Tray

2-6. Gear Wheel Tray

2-7. Base Tray

DECK MECHANISM DISASSEMBLY

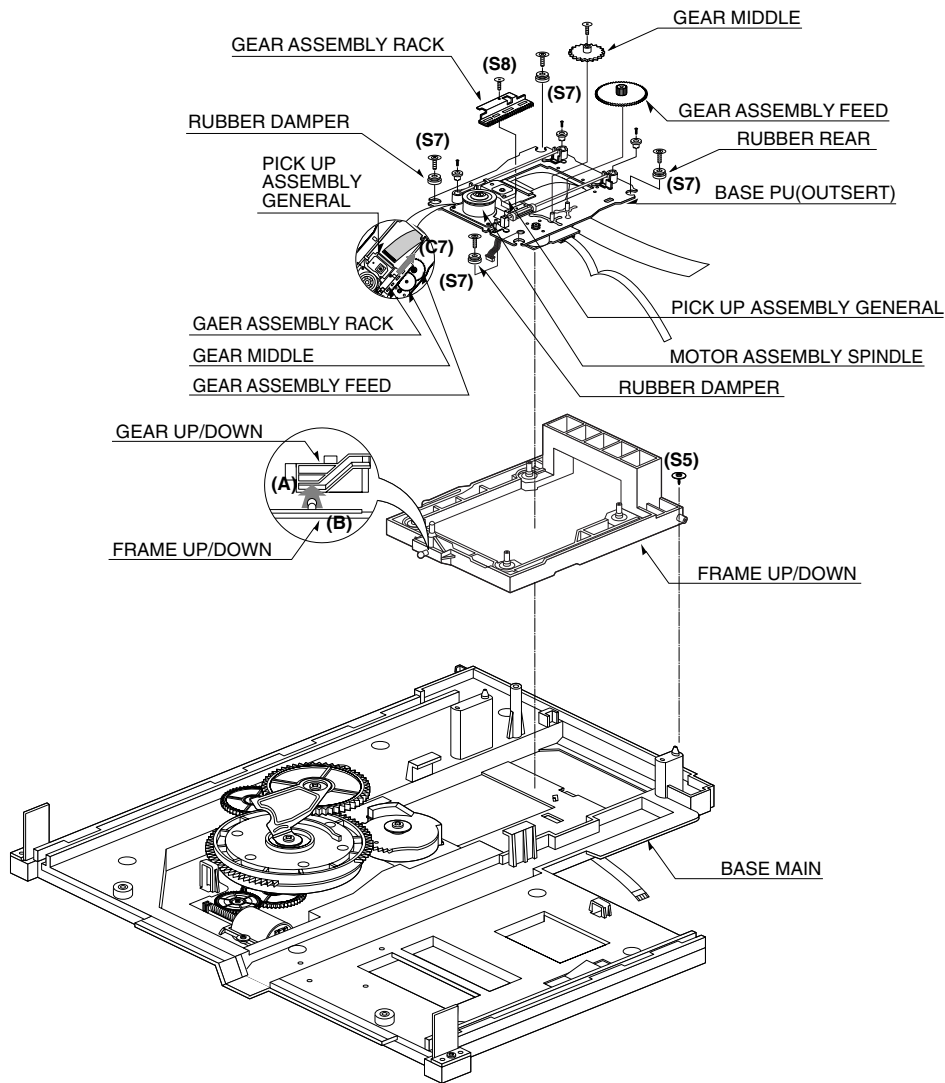


Fig. 4-3

3. Frame Assembly Up/Down(Fig. 4-3)

- 1) Release Screw(S5).

3-1. PCB Assembly Junction

- 1) Unconnect the 5 Connectors(C5), (C6).
- 2) Release 2 Screws(S6).

3-2. Base Assembly Sled Damper

Note

- Put the Base Assembly Main on original position(Top side)

- 1) Release 4 Screws(S7).
- 2) Disconnect the Connector(C7).

3-2-1. Gear Assembly Feed

- 1) Look the Locking Tab(L3) in direction of arrow.

3-2-2. Gear Assembly Middle

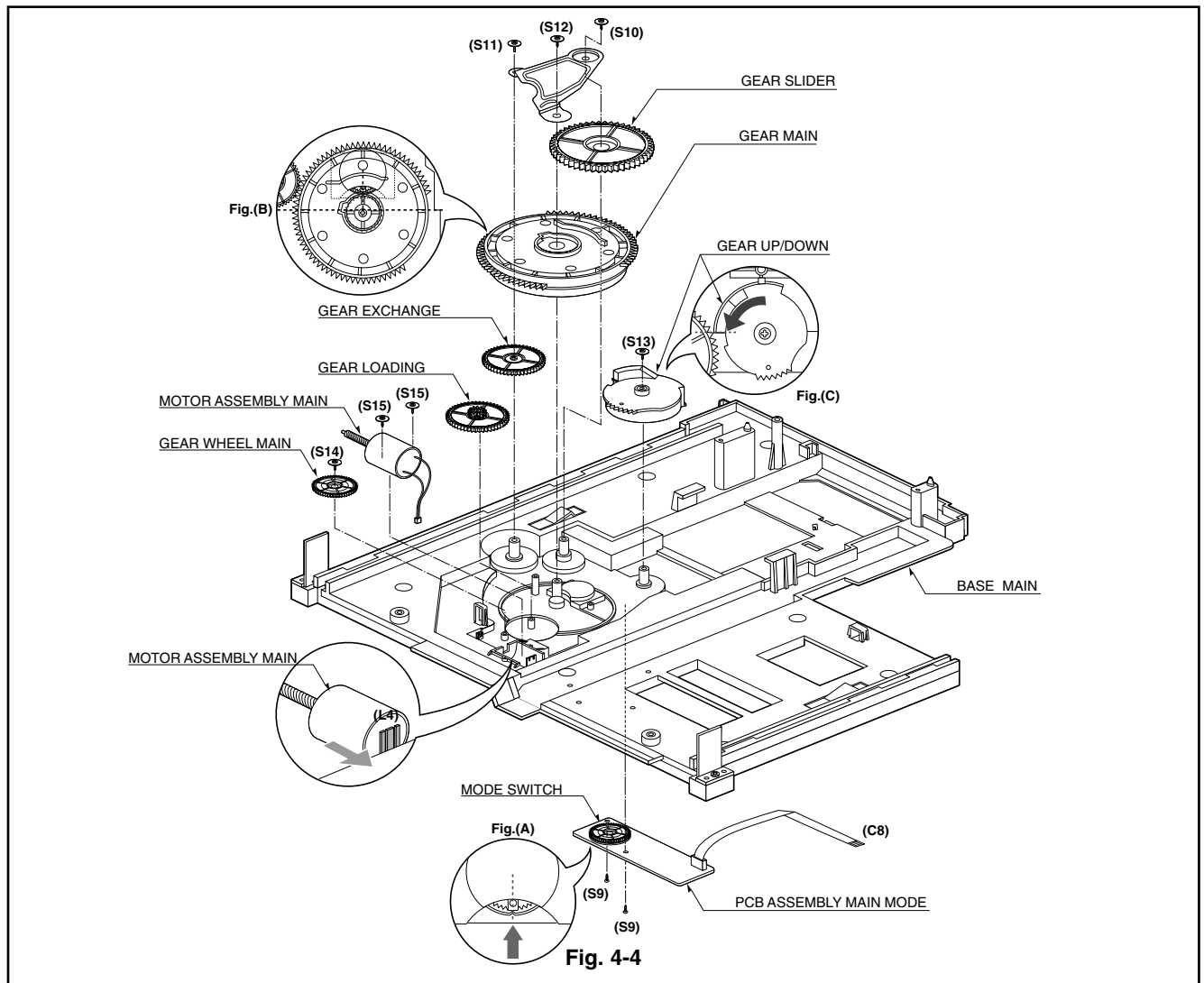
3-2-3. Gear Assembly Rack

- 1) Release the Screw(S8).

3-3. Rubber Damper

3-4. Frame Up/Down

DECK MECHANISM DISASSEMBLY



4. Base Assembly Main(Fig. 4-4)

Note

- Put the Base Assembly Main face down(Bottom Side).

4-1. PCB Assembly Main Mode

- 1)Unconnect the Connectors (C8), (C9).
- 2)Release three Screws(S9).

Note

- When reassembling, align the Mode Switch position as Fig.(A).
- Put the Base Assembly Main on original position(Top Side)

4-2. Gear Slider

- 1) Release Screw(S10).

4-3. Gear Exchange

- 1) Release Screw(S11).

4-4. Gear Main

- 1) Release Screw(S12).

Note

- When reassembling, align the (A) position of the Gear Main to the (B) position of Mode Switch as Fig.(B)

4-5. Gear Up/Down

- 1) Release Screw(S13).

Note

- Reassembling, turn the Gear Up/Down in direction of arrow as Fig.(C).

4-6. Gear Wheel Main

- 1) Release Screw(S14).

4-7. Gear Loading

4-8. Motor Assembly Main

- 1) Release 2 Screws(S15).
- 2) Unlock the Locking Tab(L4).

4-9. Base Main